

## Line laser, red, 650nm, 60°, 5mW

LFL650-5-4.5(15x68)60

Order Number: 70105032

Main Parameters (*)	min	typ	max	Unit
Wavelength		650		nm
Optical Diode Power		5		mW
Operating Voltage	3	4.5	4.5	V DC
Operating Current		20		mA
Operating Temperature	-20		40	°C
Storage Temperature	-40		80	°C

### Technical Parameters

Lifetime	>3000h
RoHS	yes

### Optical Parameters

Beam Shape	Line
Laser Class	1
Divergence	H - 1.0mrad
Fan Angle	60°
Line Thickness	<1.2mm@1m
Operating Distance	1m
Optics	acryl lense
Laser technology	diode
Focus	fixed (1000mm)

### Electrical Parameters

Potential of Housing	VDD(+)
Battery	2 x LR44

### Mechanical Parameters

Size	Ø15x68mm
Material	aluminium
Output Aperture	6mm
Weight	25g

(\*) Over the complete operating temperature range

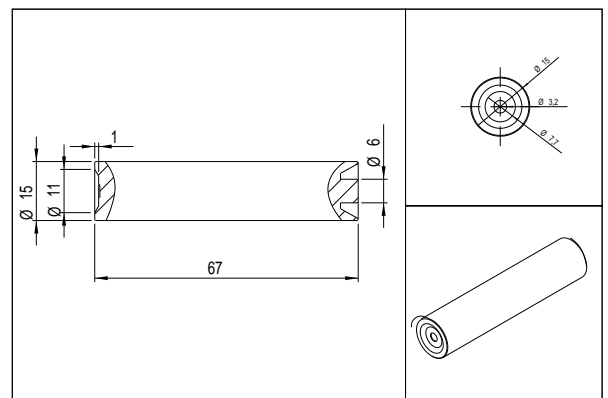
### Features

- Laser Class 1
- With battery
- Compact size
- Low cost
- Uniform line thickness

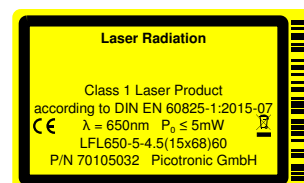
### Picture



### Drawing



### Safety Label



### Revision

REV 1 | 03-NOV-2017