

## Line laser, red, 650 nm, 90°, 5 mW

LFL650-5-12(9x20)90  
Order Number: 70104011

Main Parameters (*)	min	typ	max	Unit
Wavelength		650		nm
Optical Diode Power	2	5	5	mW
Operating Voltage	3		12	V DC
Operating Current	10	15	25	mA
Operating Temperature	-20		40	°C
Storage Temperature	-40		80	°C

### Main Data

Warranty 1 years

### Technical Parameters

Lifetime >3,000 h  
RoHS yes

### Optical Parameters

Beam Shape	Line
Laser Class	1
Divergence	H - 1.0 mrad
Fan Angle	90°
Line Thickness	<1.2mm@1m
Operating Distance	1 m
Optics	acryl lense
Laser technology	diode
Focus	fixed (1000mm)

### Electrical Parameters

Power Supply with stripped/tinned wires, Output: 3.3V DC, Input: 100-240V AC, 50-60Hz, Output Power: 3.3W max.

### Mechanical Parameters

Size	Ø9x20 mm
Material	Brass
Cable length	100 mm
Wire type	26AWG, 0,14mm <sup>2</sup>
Output Aperture	6 mm
Weight	6 g
Stripping of wire	5 mm

(\*) Over the complete operating temperature range



### Features

- Laser Class 1
- Operating Voltage 3-12V DC
- Uniform line thickness
- Low cost

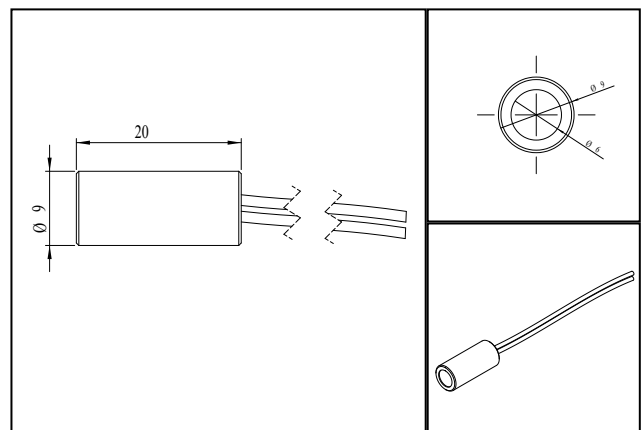
### Picture



### Cable color

Ground		black	GND
Positive		red	3 - 12 V DC

### Drawing



### Safety Label



### Valid Revision

12 | 24-AUG-2023