

Line laser, red, 650 nm, 90°, 16 mW

LFL650-16-3(16x90)-NT
Order Number: 70109726

Main Parameters (*)	min	typ	max	Unit
Wavelength		650		nm
Optical Output Power		16		mW
Operating Voltage	2.7	3	3.3	V DC
Operating Current		70		mA
Operating Temperature	-20		40	°C
Storage Temperature	-40		80	°C

Main Data

Warranty 1 years

Technical Parameters

Lifetime > 5,000 h

RoHS yes

Optical Parameters

Beam Shape Line

Laser Class 2

Divergence H - 1.0 mrad

Fan Angle 90°

Line Thickness <1mm@3m

Operating Distance 3 m

Optics glass lens AR coated

Laser technology diode

Focus fixed (3000mm)

Electrical Parameters

Potential of Housing VDD(+)

Connector 2.5 mm DC socket (GND pole inner)

Power Supply Power Supply, Output: 3.3V DC, Input: 100-240V AC, 50-60Hz, Output Power: 3.3W max, Connector 2,5x5,5x9,5mm center negative

Mechanical Parameters

Size Ø16x90 mm

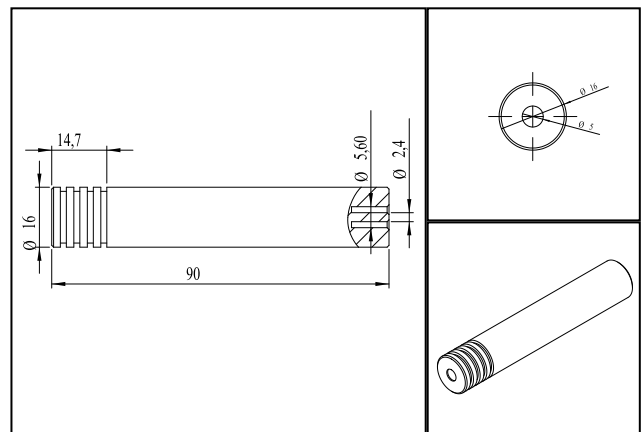
Material	aluminium
Cable length	1,400 mm
Weight	46 g

(*) Over the complete operating temperature range

Picture



Drawing



Safety Label



Valid Revision

16 | 28-APR-2023