

Line laser, red, 635 nm, 90°, 5 mW

LFL635-5-6(9x20)90
Order Number: 70108484

Main Parameters (*)	min	typ	max	Unit
Wavelength		635		nm
Optical Diode Power	2	5	5	mW
Operating Voltage	3		6	V DC
Operating Current	20	40	60	mA
Operating Temperature	-20		40	°C
Storage Temperature	-40		80	°C

Main Data

Warranty 1 years

Technical Parameters

Lifetime >3,000 h
RoHS yes

Optical Parameters

Beam Shape Line
Laser Class 1
Divergence H - 1.0 mrad
Fan Angle 90°
Line Thickness <1.2mm@1m
Operating Distance 2 m
Optics acryl lense
Laser technology diode
Focus fixed (1000mm)

Electrical Parameters

Potential of Housing VDD(+)
Power Supply Power Supply with stripped/tinned wires, Output: 3.3V DC, Input: 100-240V AC, 50-60Hz, Output Power: 3.3W max.

Mechanical Parameters

Size Ø9x20 mm
Material Brass
Cable length 100 mm
Wire type 26AWG, 0,14mm²
Output Aperture 6 mm
Weight 6 g

Stripping of wire 5 mm

(*) Over the complete operating temperature range

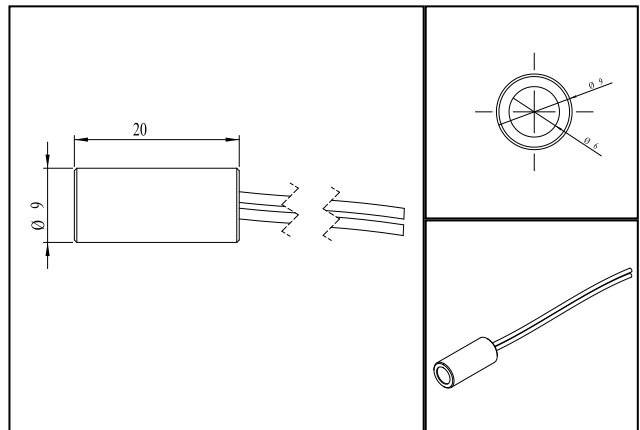
Picture



Cable color

Ground black GND
Positive red 3 - 6 V DC

Drawing



Safety Label



Valid Revision

1 | 15-JAN-2024