

Line laser, green, 532 nm, 90°, 5 mW

LFL532-5-3(16x90)-NT
Order Number: 70106466

Main Parameters (*)	min	typ	max	Unit
Wavelength		532		nm
Optical Output Power		5		mW
Operating Voltage	2.7	3	3.3	V DC
Operating Current		350		mA
Operating Temperature	15		30	°C
Storage Temperature	-40		80	°C

Main Data

Warranty	1 years
----------	---------

Technical Parameters

Lifetime	> 5,000 h
RoHS	yes

Optical Parameters

Beam Shape	Line
Laser Class	1
Divergence	H - 1.0 mrad
Fan Angle	90°
Line Thickness	<2mm@3m
Operating Distance	3m
Optics	glass lens AR coated
Beam Mode	TEM00
Laser technology	YVO4+KTP
Protection Lens	yes
Focus	fixed (3000mm)
Warm up time	< 15 min

Electrical Parameters

Potential of Housing	VDD(+)
Connector	2.5 mm DC plug (GND pole inner)

Mechanical Parameters

Size	Ø16x90 mm
Material	aluminium

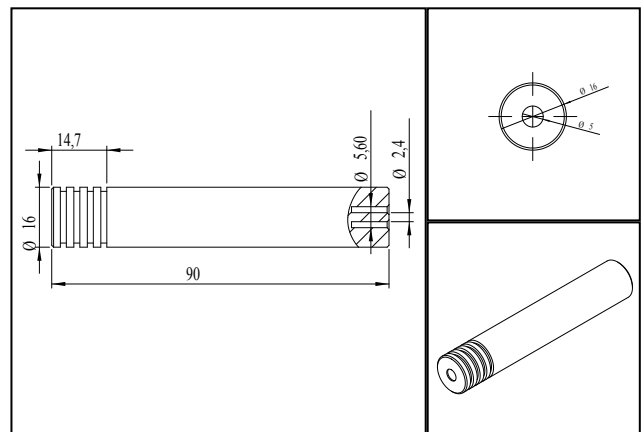
Cable length	1,500 mm
Output Aperture	6 mm
Weight	127.6 g

(*) Over the complete operating temperature range

Picture



Drawing



Safety Label



Valid Revision

1 | 14-APR-2023