

Line laser, green, 532 nm, 90°, 10 mW

LFL532-10-3(12x60)
Order Number: 70113136

Main Parameters (*)	min	typ	max	Unit
Wavelength		532		nm
Optical Output Power		10		mW
Operating Voltage	2.7	3	3.3	V DC
Operating Current	100	210	375	mA
Operating Temperature		15	30	°C
Storage Temperature	-40		80	°C

Main Data

Warranty 1 years

Technical Parameters

Lifetime > 5,000 h
RoHS yes

Optical Parameters

Beam Shape	Line
Laser Class	2
Divergence	D - 0.5 mrad
Fan Angle	90°
Line Thickness	<2mm@3m
Operating Distance	5 m
Optics	glass lens AR coated
Beam Mode	TEM00
Laser technology	Solid State (YVO4+KTP)
Stability	+/- 10% @ 15-30°C
Focus	fixed (3000mm)
Warm up time	< 15 min

Electrical Parameters

Potential of Housing	isolated
Power Supply	Power Supply with stripped/tinned wires, Output: 3.3V DC, Input: 100-240V AC, 50-60Hz, Output Power: 3.3W max.

Mechanical Parameters

Size	Ø12x60 mm
Material	aluminium
Cable length	100 mm
Wire type	26AWG, 0,14mm ²
Output Aperture	3 mm

Housing Color	black
Weight	15 g
Stripping of wire	5 mm

(*) Over the complete operating temperature range

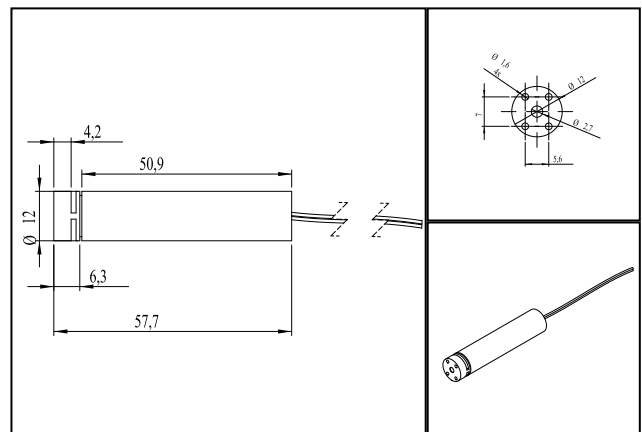
Picture



Cable color

Ground		blue	GND
Positive		red	2.7 - 3.3, typ 3 V DC

Drawing



Safety Label



Valid Revision

8 | 31-MAY-2022