

Dot laser, infrared, 780nm, 1mW

LFD780-1-3(8x23)

Order Number: 70103892

Main Parameters (*)	min	typ	max	Unit
Wavelength		780		nm
Optical Diode Power		1		mW
Operating Voltage	2.3	3	3.3	V DC
Operating Current	10	20	30	mA
Operating Temperature	-20		40	°C
Storage Temperature	-40		80	°C

Technical Parameters

Lifetime	>3000h
RoHS	yes

Optical Parameters

Beam Shape	Dot
Laser Class	3R
Divergence	G - 0.8mrad
Size of Laserdot	<4..6mm@5m
Operating Distance	10m
Optics	acryl lens
Laser technology	diode
Focus	collimated

Electrical Parameters

Potential of Housing	VDD(+)
----------------------	--------

Mechanical Parameters

Size	Ø8x23mm
Material	Brass
Cable length	100mm
Wire type	26AWG, 0,14mm ²
Output Aperture	3.8mm
Weight	4g

(*) Over the complete operating temperature range



Features

- Operating Voltage 3V DC
- Laser Class 3R
- Fixed focus
- Compact size
- Low cost

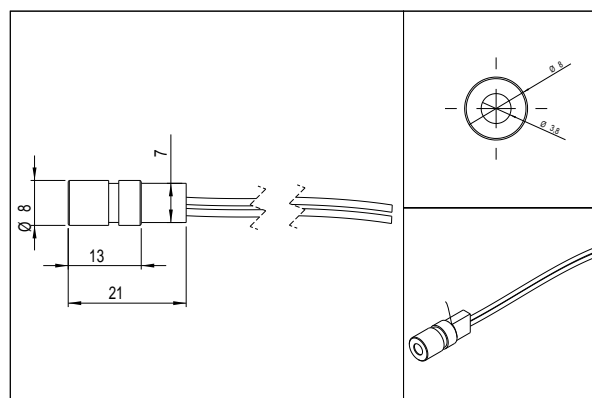
Picture



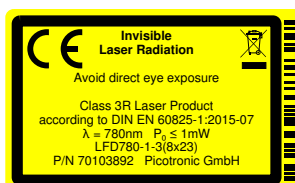
Cable Colors

Ground		white	GND
Positive		red	2.3 - 3.3, typ 3V DC

Drawing



Safety Label



Revision

REV 12 | 29-OCT-2018

Laserfuchs is a registered trademark of the Picotronic GmbH

Picotronic GmbH	Geschäftsführende	FON +49(0)261-983 497-50	Sparkasse Koblenz	Postbank Stuttgart	Steuernummer: 22/651/0291/4
Rudolf-Diesel-Str. 2a	Gesellschafter:	FAX +49(0)261-983 497-55	BLZ 570 501 20, KTO 211 003	BLZ 600 100 70, KTO 770 787 04	Ust-Idnr. DE814473445
56070 Koblenz	David Heckner,	www.laserfuchs.de	BIC / IBAN : MALADE51KOB	BIC / IBAN : PBNKDEFF	Amtsgericht Koblenz HRB 20026
Germany	Thiemo Komischke	info@laserfuchs.de	DE41 5705 0120 0000 2110 03	DE41 6001 0070 0077 0787 04	WEEE-Reg.-Nr. DE85231360