

## Dot laser, red, 650nm, 5mW

LFD650-5-3(12x32)

Order Number: 70104561

Main Parameters (*)	min	typ	max	Unit
Wavelength		650		nm
Optical Diode Power		5		mW
Operating Voltage	2.7	3	3.3	V DC
Operating Current	15	25	40	mA
Operating Temperature	-20		40	°C
Storage Temperature	-40		80	°C

### Technical Parameters

Lifetime	>5000h
RoHS	yes

### Optical Parameters

Beam Shape	Dot
Laser Class	3R
Divergence	G - 0.8mrad
Beam Diameter	12mm
Size of Laserdot	<4..6mm@5m
Operating Distance	10m
Optics	acryl lense
Laser technology	diode
Focus	collimated

### Mechanical Parameters

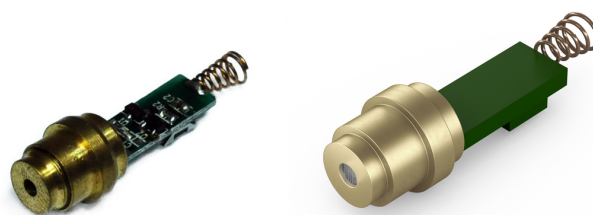
Size	Ø12x32mm
Material	Brass
Cable length	0mm
Output Aperture	2.5mm
Weight	7g

(\*) Over the complete operating temperature range

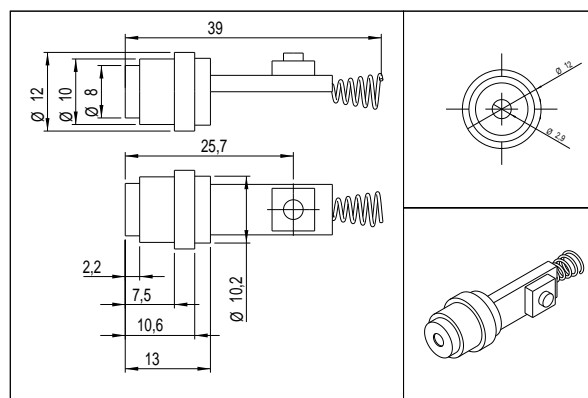
### Features

- Operating Voltage 3V DC
- Laser Class 3R
- Fixed focus
- Low cost
- Small laser head

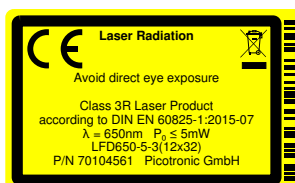
### Picture



### Drawing



### Safety Label



### Revision

REV 15 | 05-OCT-2016

Laserfuchs is a registered trademark of the Picotronic GmbH

<b>Picotronic GmbH</b>	Geschäftsführende	FON +49(0)261-983 497-50	Sparkasse Koblenz	Postbank Stuttgart	Steuernummer: 22/651/0291/4
Rudolf-Diesel-Str. 2a	Gesellschafter:	FAX +49(0)261-983 497-55	BLZ 570 501 20, KTO 211 003	BLZ 600 100 70, KTO 770 787 04	Ust-Idnr. DE814473445
56070 Koblenz	David Heckner,	www.laserfuchs.de	BIC / IBAN : MALADE51KOB	BIC / IBAN : PBNKDEFF	Amtsgericht Koblenz HRB 20026
Germany	Thiemo Komischke	info@laserfuchs.de	DE41 5705 0120 0000 2110 03	DE41 6001 0070 0077 0787 04	WEEE-Reg.-Nr. DE85231360