

Dot laser, red, 650nm, 1mW

LFD650-1-3(6x17)-ADJ

Order Number: 70115420

Main Parameters (*)	min	typ	max	Unit
Wavelength		650		nm
Optical Diode Power		1		mW
Operating Voltage	2.7	3	3.3	V DC
Operating Current	5	10	15	mA
Operating Temperature	-20		40	°C
Storage Temperature	-40		80	°C

Technical Parameters

Lifetime	>3000h
RoHS	yes

Optical Parameters

Beam Shape	Dot
Laser Class	2
Divergence	H - 1.0mrad
Size of Laserdot	adjustable
Operating Distance	10m
Optics	acryl lense
Laser technology	diode
Focus	adjustable

Electrical Parameters

Potential of Housing	VDD(+)
----------------------	--------

Mechanical Parameters

Size	Ø6x17mm
Material	Brass
Cable length	70mm
Output Aperture	3mm
Weight	2g

(*) Over the complete operating temperature range



Features

- Operating Voltage 3V DC
- Laser Class 2
- Low power consumption
- Compact size
- Low cost

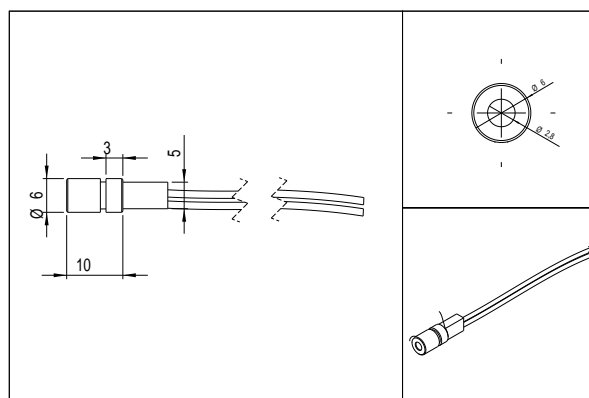
Picture



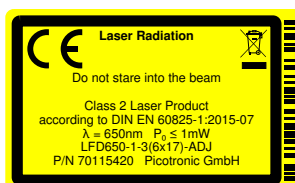
Cable Colors

Ground		white	GND
Positive		red	2.7 - 3.3, typ 3V DC

Drawing



Safety Label



Revision

REV 3 | 17-JAN-2019

Laserfuchs is a registered trademark of the Picotronic GmbH

Picotronic GmbH Rudolf-Diesel-Str. 2a 56070 Koblenz Germany	Geschäftsführende Gesellschafter: David Heckner, Thiemo Komischke	FON +49(0)261-983 497-50 FAX +49(0)261-983 497-55 www.laserfuchs.de info@laserfuchs.de	Sparkasse Koblenz BLZ 570 501 20, KTO 211 003 BIC / IBAN : MALADE51KOB DE41 5705 0120 0000 2110 03	Postbank Stuttgart BLZ 600 100 70, KTO 770 787 04 BIC / IBAN : PBNKDEFF DE41 6001 0070 0077 0787 04	Steuernummer: 22/651/0291/4 Ust-Idnr. DE814473445 Amtsgericht Koblenz HRB 20026 WEEE-Reg.-Nr. DE85231360
---	--	---	---	--	---