

## Dot laser, red, 650 nm, 1 mW

LFD650-1-12(9x20)-C400-JST  
Order Number: 70124248

Main Parameters (*)	min	typ	max	Unit
Wavelength		650		nm
Optical Diode Power	0.5	1	1	mW
Operating Voltage	10.8	12	13.2	V DC
Operating Current	15	25	30	mA
Operating Temperature	-20		40	°C
Storage Temperature	-40		80	°C

### Main Data

Warranty 1 years

### Technical Parameters

Lifetime >3,000 h  
RoHS yes

### Optical Parameters

Beam Shape	Dot
Laser Class	2
Divergence	H - 1.0 mrad
Beam Diameter	3 mm
Size of Laserdot	<4.5mm@5m
Operating Distance	10 m
Optics	acryl lense
Laser technology	diode
Focus	collimated

### Electrical Parameters

Potential of Housing	VDD(+)
Connector	JST PHR-2 2pol 2mm
Stripping of cable cover	40 mm

### Mechanical Parameters

Size	Ø9x20 mm
Material	Brass
Cable length	400 mm
Wire type	AWG 24 VW-1, black, 3,3mm, red, white
Output Aperture	3 mm
Weight	16 g
Protection Class	IP 54

(\*) Over the complete operating temperature range

### Features





- Operating Voltage 3-12V DC
- Low cost
- Laser Class 2
- Compact size
- Fixed focus

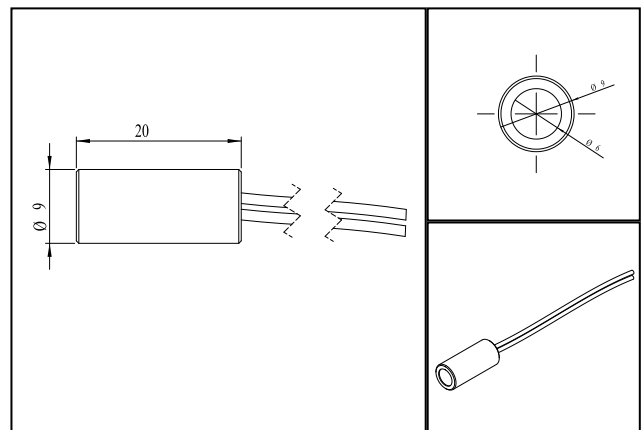
### Picture



### Cable color

Ground		black	GND
Positive		red	10.8 - 13.2, typ 12 V DC

### Drawing



### Safety Label



### Valid Revision

| 06-MAY-2022