

## Dot laser, red, 650nm, 0.3mW

LFD650-0.4-12(10x22)

Order Number: 70108514

Main Parameters (*)	min	typ	max	Unit
Wavelength		650		nm
Optical Diode Power	0.2	0.3	0.4	mW
Operating Voltage	3		12	V DC
Operating Current	10	15	25	mA
Operating Temperature	-20		40	°C
Storage Temperature	-40		80	°C

### Technical Parameters

Lifetime	>3000h
RoHS	yes

### Optical Parameters

Beam Shape	Dot
Laser Class	1
Divergence	H - 1.0mrad
Beam Diameter	3.5mm
Size of Laserdot	<4..6mm@5m
Operating Distance	10m
Optics	acryl lense
Laser technology	diode
Focus	collimated

### Electrical Parameters

Potential of Housing	VDD(+)
Power Supply	LFNT-3

### Mechanical Parameters

Size	Ø10x22mm
Material	Brass
Cable length	100mm
Wire type	26AWG, 0,14mm <sup>2</sup>
Output Aperture	3.5mm
Weight	9g
Stripping of wire	5mm

(\*) Over the complete operating temperature range

### Features

- Low cost
- Compact size
- Laser Class 1
- Operating Voltage 3-12V DC
- Low power consumption

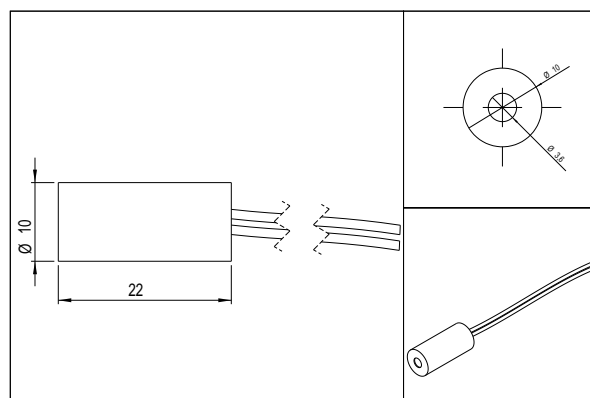
### Picture



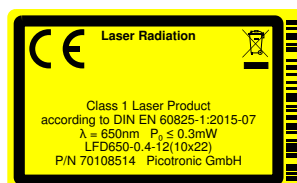
### Cable Colors

Ground		black	GND
Positive		red	3 - 12V DC

### Drawing



### Safety Label



### Revision

REV 25 | 26-OCT-2018

Laserfuchs is a registered trademark of the Picotronic GmbH

<b>Picotronic GmbH</b>	Geschäftsführende Gesellschafter:	FON +49(0)261-983 497-50 FAX +49(0)261-983 497-55	Sparkasse Koblenz BLZ 570 501 20, KTO 211 003 BIC / IBAN : MALADE51KOB DE41 5705 0120 0000 2110 03	Postbank Stuttgart BLZ 600 100 70, KTO 770 787 04 BIC / IBAN : PBNKDEFF DE41 6001 0070 0077 0787 04	Steuernummer: 22/651/0291/4 Ust-Idnr. DE814473445 Amtsgericht Koblenz HRB 20026 WEEE-Reg.-Nr. DE85231360
Rudolf-Diesel-Str. 2a 56070 Koblenz Germany	David Heckner, Thiemo Komischke	www.laserfuchs.de info@laserfuchs.de			