

Dot laser, red, 635 nm, 5 mW

LFD635-5-3(12x30.5)
Order Number: 70104110

| Main Parameters (*) | min | typ | max | Unit |
|-----------------------|-----|-----|-----|------|
| Wavelength | | 635 | | nm |
| Optical Diode Power | | 5 | | mW |
| Operating Voltage | 2.7 | 3 | 3.3 | V DC |
| Operating Current | 20 | 40 | 60 | mA |
| Operating Temperature | -20 | | 40 | °C |
| Storage Temperature | -40 | | 80 | °C |

Main Data

Warranty 1 years

Technical Parameters

Lifetime >3,000h
RoHS yes

Optical Parameters

Beam Shape Dot
Laser Class 3R
Divergence H - 1.0 mrad
Size of Laserdot adjustable
Operating Distance 50 m
Optics acryl lense
Laser technology diode
Focus adjustable

Electrical Parameters

Potential of Housing VDD(+)

Mechanical Parameters

Size Ø12x30.5 mm
Material Brass
Cable length 90 mm
Wire type 26AWG, 0,14mm²
Output Aperture 4 mm
Weight 15g

(*) Over the complete operating temperature range

Features



- Operating Voltage 3V DC
- Laser Class 3R
- Adjustable focus
- Compact size
- Low cost

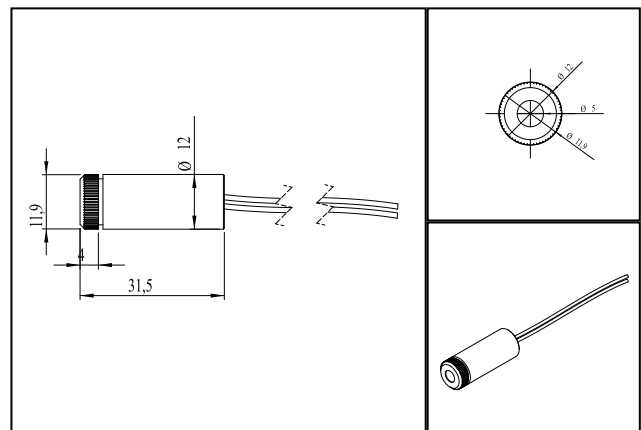
Picture



Cable color

| | | | |
|----------|------------------------------------------------------------------------------------|-------|-----------------------|
| Ground |  | black | GND |
| Positive |  | red | 2.7 - 3.3, typ 3 V DC |

Drawing



Safety Label



Valid Revision

6 | 09-MAY-2022