

## Dot laser, red, 635nm, 1mW

LFD635-1-3(12x30.5)

Order Number: 70104103

Main Parameters (*)	min	typ	max	Unit
Wavelength		635		nm
Optical Diode Power		1		mW
Operating Voltage	2.7	3	3.3	V DC
Operating Current		30		mA
Operating Temperature	-20		40	°C
Storage Temperature	-40		80	°C

### Technical Parameters

Lifetime	>3000h
RoHS	yes

### Optical Parameters

Beam Shape	Dot
Laser Class	2
Divergence	H - 1.0mrad
Size of Laserdot	adjustable
Operating Distance	10m
Optics	acryl lens
Laser technology	diode
Focus	adjustable

### Electrical Parameters

Potential of Housing	VDD(+)
----------------------	--------

### Mechanical Parameters

Size	Ø12x30.5mm
Material	Brass
Cable length	90mm
Wire type	26AWG, 0,14mm <sup>2</sup>
Output Aperture	4mm
Weight	18.6g

(\*) Over the complete operating temperature range



### Features

- Laser Class 2
- Operating Voltage 3V DC
- Adjustable focus
- Compact size
- Low cost

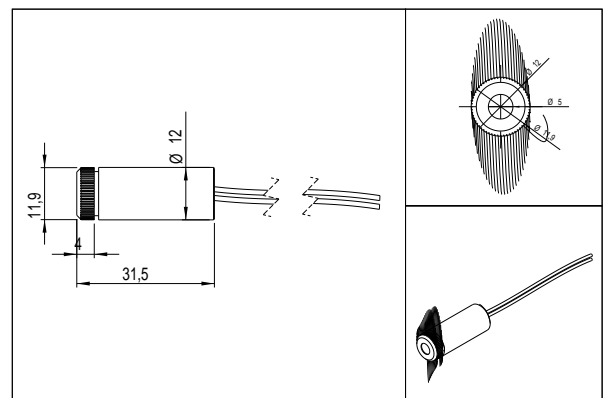
### Picture



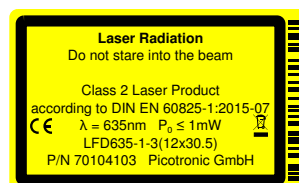
### Cable Colors

Ground		black	GND
Positive		red	2.7 - 3.3, typ 3V DC

### Drawing



### Safety Label



### Revision

REV 8 | 26-MAR-2018