

Dot laser, green, 532nm, 1mW

LFD532-1-3(16x90)-NT

Order Number: 70107548

Main Parameters (*)	min	typ	max	Unit
Wavelength		532		nm
Optical Output Power		1		mW
Operating Voltage	2.7	3	3.3	V DC
Operating Current	125	250	375	mA
Operating Temperature	15		30	°C
Storage Temperature	-40		80	°C

Technical Parameters

Lifetime	>3000h
RoHS	yes

Optical Parameters

Beam Shape	Dot
Laser Class	2
Divergence	D - 0.5mrad
Beam Diameter	3mm
Size of Laserdot	<3..5mm@10m
Optics	glass lens AR coated
Beam Mode	TEM00
Laser technology	YVO4+KTP
Stability	+/- 20% @ 15-30 °C
Focus	fixed (10.0m)
Warm up time	<15min

Electrical Parameters

Potential of Housing	VDD(+)
Connector	2.5 mm DC plug (GND pole inner)
Power Supply	LFNT-3-C

Mechanical Parameters

Size	Ø16x90mm
Material	Brass
Cable length	1650mm
Output Aperture	3.5mm
Weight	100g

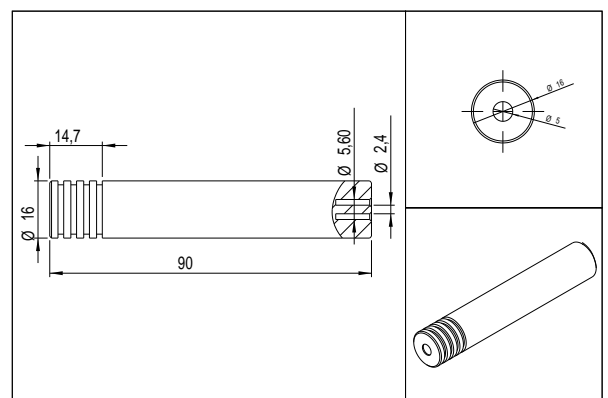
(*) Over the complete operating temperature range

Features

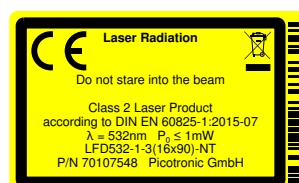
Picture



Drawing



Safety Label



Revision

REV 0 | 23-AUG-2017

Laserfuchs is a registered trademark of the Picotronic GmbH

Picotronic GmbH	Geschäftsführende	FON +49(0)261-983 497-50	Sparkasse Koblenz	Postbank Stuttgart	Steuernummer: 22/651/0291/4
Rudolf-Diesel-Str. 2a	Gesellschafter:	FAX +49(0)261-983 497-55	BLZ 570 501 20, KTO 211 003	BLZ 600 100 70, KTO 770 787 04	Ust-Idnr. DE814473445
56070 Koblenz	David Heckner,	www.laserfuchs.de	BIC / IBAN : MALADE51KOB	BIC / IBAN : PBNKDEFF	Amtsgericht Koblenz HRB 20026
Germany	Thiemo Komischke	info@laserfuchs.de	DE41 5705 0120 0000 2110 03	DE41 6001 0070 0077 0787 04	WEEE-Reg.-Nr. DE85231360