

Cross laser, red, 650nm, 45°, 5mW

LFC650-5-4.5(15x68)45

Order Number: 70108552

Main Parameters (*)	min	typ	max	Unit
Wavelength		650		nm
Optical Diode Power		5		mW
Operating Voltage	2.7	3	4.5	V DC
Operating Current	10	20	30	mA
Operating Temperature	-20		40	°C
Storage Temperature	-40		80	°C

Technical Parameters

Lifetime	>3000h
RoHS	yes

Optical Parameters

Beam Shape	Cross
Laser Class	1
Divergence	H - 1.0mrad
Fan Angle	45°
Line Thickness	<1.2mm@1m
Operating Distance	1m
Optics	acryl lense
Laser technology	diode
Focus	fixed (1000mm)
Verticality	< ±1°

Electrical Parameters

Potential of Housing	VDD(+)
Battery	2 x LR44

Mechanical Parameters

Size	Ø15x68mm
Material	aluminium
Output Aperture	6mm
Housing Color	black
Weight	25g

(*) Over the complete operating temperature range

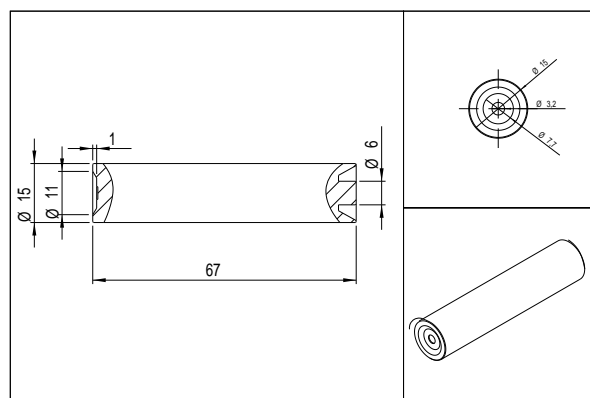
Features

- With battery
- Laser Class 1
- Compact size
- Operating Voltage 3V DC
- Low cost

Picture



Drawing



Safety Label



Revision

REV 14 | 04-SEP-2018

Laserfuchs is a registered trademark of the Picotronic GmbH

Picotronic GmbH	Geschäftsführende	FON +49(0)261-983 497-50	Sparkasse Koblenz	Postbank Stuttgart	Steuernummer: 22/651/0291/4
Rudolf-Diesel-Str. 2a	Gesellschafter:	FAX +49(0)261-983 497-55	BLZ 570 501 20, KTO 211 003	BLZ 600 100 70, KTO 770 787 04	Ust-Idnr. DE814473445
56070 Koblenz	David Heckner,	www.laserfuchs.de	BIC / IBAN : MALADE51KOB	BIC / IBAN : PBNKDEFF	Amtsgericht Koblenz HRB 20026
Germany	Thiemo Komischke	info@laserfuchs.de	DE41 5705 0120 0000 2110 03	DE41 6001 0070 0077 0787 04	WEEE-Reg.-Nr. DE85231360