

## Line laser, red, 650 nm, 90°, 5 mW

LE650-5-3-F-S(22x100)90  
Order Number: 70109634

Main Parameters (*)	min	typ	max	Unit
Wavelength		650		nm
Optical Output Power		5		mW
Operating Voltage	2.7	3	3.3	V DC
Operating Current	15	30	45	mA
Operating Temperature	-20		50	°C
Storage Temperature	-40		80	°C

### Main Data

Warranty 1 years

### Technical Parameters

Lifetime > 10,000 h  
RoHS yes

### Optical Parameters

Beam Shape Line  
Laser Class 1  
Divergence E - 0.6 mrad  
Fan Angle 90°  
Line Thickness adjustable  
Operating Distance 3 m  
Optics glass lens AR coated  
Laser technology Single Mode Diode  
Focus adjustable

### Electrical Parameters

Potential of Housing VDD(+)  
Battery CR123A Lithium Battery, 3V 1400mAh  
Battery count 1

### Mechanical Parameters

Size Ø22x100 mm  
Material aluminium  
Output Aperture 4.5 mm  
Housing Color black  
Weight 77.7 g

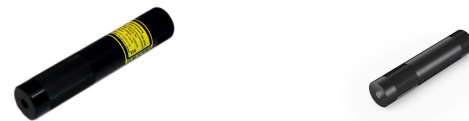
(\*) Over the complete operating temperature range

### Features

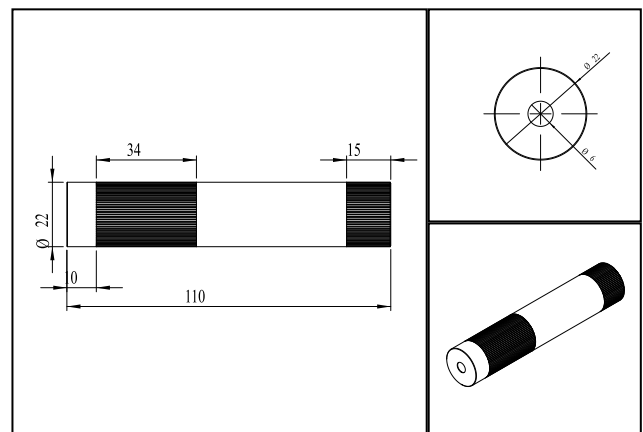


- Operating Voltage 3V DC
- Laser Class 1
- Adjustable focus
- Low power consumption
- With battery

### Picture



### Drawing



### Safety Label



### Valid Revision

8 | 05-JUL-2024