

Line laser, red, 650 nm, 30 °, 5 mW

LE650-5-3(12x32)30-F500-C1500
Order Number: 70106039

Main Parameters (*)	min	typ	max	Unit
Wavelength		650		nm
Optical Output Power		5		mW
Operating Voltage	2.7	3	3.3	V DC
Operating Current	15	32	45	mA
Operating Temperature	-20		50	°C
Storage Temperature	-40		80	°C

Technical Parameters

Lifetime	>5000 h
RoHS	yes

Optical Parameters

Beam Shape	Line
Laser Class	1
Divergence	E - 0.6 mrad
Fan Angle	30 °
Line Thickness	<0.5mm@0.5m
Operating Distance	0.5 m
Optics	glass lens AR coated
Laser technology	Single Mode Diode
Focus	fixed (500mm)

Electrical Parameters

Potential of Housing	isolated
Power Supply	LFNT-3

Mechanical Parameters

Size	Ø12x32 mm
Material	aluminium
Cable length	1500 mm
Wire type	24AWG, black, 3mm
Output Aperture	5.5 mm
Housing Color	black
Weight	37 g
Stripping of wire	5 mm
Stripping of cable cover	50 mm

(*) Over the complete operating temperature range

Features



- Laser Class 1
- Operating Voltage 3 V DC
- Fixed focus
- Uniform line thickness
- Fan angle 30 °

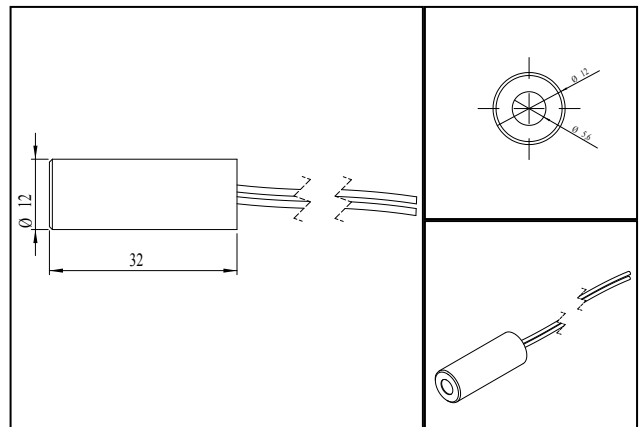
Picture



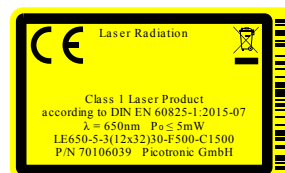
Cable color

Ground		black	GND
Positive		white	2.7 - 3.3, typ 3 V DC

Drawing



safety label



Valid Revision

REV 3 | 14-JAN-2016