

## Line laser, red, 650 nm, 30°, 5 mW

LE650-5-3(12x32)30-F500-C1500  
Order Number: 70106039

Main Parameters (*)	min	typ	max	Unit
Wavelength		650		nm
Optical Output Power		5		mW
Operating Voltage	2.7	3	3.3	V DC
Operating Current	15	32	45	mA
Operating Temperature	-20		50	°C
Storage Temperature	-40		80	°C

### Main Data

Warranty 1 years

### Technical Parameters

Lifetime > 5,000 h  
RoHS yes

### Optical Parameters

Beam Shape	Line
Laser Class	1
Divergence	E - 0.6 mrad
Fan Angle	30°
Line Thickness	<0.5mm@0.5m
Operating Distance	0.5m
Optics	glass lens AR coated
Laser technology	Single Mode Diode
Focus	fixed (500mm)

### Electrical Parameters

Potential of Housing	isolated
Power Supply	Power Supply with stripped/tinned wires, Output: 3.3V DC, Input: 100-240V AC, 50-60Hz, Output Power: 3.3W max.
Stripping of cable cover	50 mm

### Mechanical Parameters

Size	Ø12x32 mm
Material	aluminium
Cable length	1,500 mm
Wire type	24AWG, black, 3mm
Output Aperture	5.5 mm
Housing Color	black
Weight	37 g
Stripping of wire	5 mm

(\*) Over the complete operating temperature range

### Features



- Laser Class 1
- Operating Voltage 3V DC
- Fixed focus
- Uniform line thickness
- Fan angle 30°

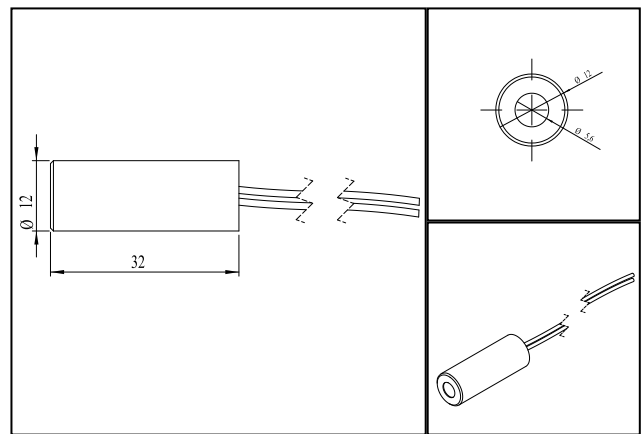
### Picture



### Cable color

Ground		black	GND
Positive		white	2.7 - 3.3, typ 3 V DC

### Drawing



### Safety Label



### Valid Revision

3 | 05-MAY-2022