

Line laser, red, 635 nm, 90°, 8 mW

LE635-8-3(12x32)
Order Number: 70126341

Main Parameters (*)	min	typ	max	Unit
Wavelength		635		nm
Optical Output Power		8		mW
Operating Voltage		3		V DC
Operating Current	45	60	80	mA
Operating Temperature	-20		50	°C
Storage Temperature	-40		80	°C

Main Data

Warranty 1 years

Technical Parameters

Lifetime > 5,000 h
RoHS yes

Optical Parameters

Beam Shape	Line
Laser Class	2
Divergence	E - 0.6 mrad
Fan Angle	90°
Line Thickness	<3mm@6m
Operating Distance	6 m
Optics	glass lens AR coated
Laser technology	Single Mode Diode
Focus	fixed (6.0m)

Electrical Parameters

Potential of Housing	isolated
Connector	2.5 mm DC socket (GND pole inner)
Power Supply	Power Supply with stripped/tinned wires, Output: 3.3V DC, Input: 100-240V AC, 50-60Hz, Output Power: 3.3W max.
Stripping of cable cover	50 mm

Mechanical Parameters

Size	Ø12x32 mm
Material	aluminium
Cable length	1,000 mm
Wire type	22AWG, black, 3,6mm
Output Aperture	5.5 mm
Housing Color	black
Weight	35 g
Stripping of wire	5 mm

(*) Over the complete operating temperature range

Features



- Laser Class 2
- Low power consumption
- Uniform line thickness
- Image processing

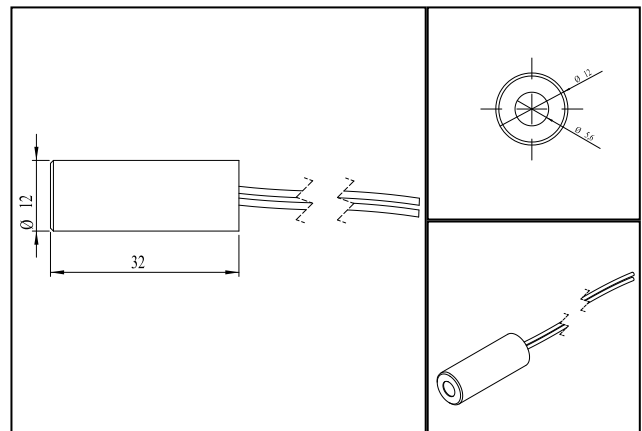
Picture



Cable color

Ground		black	GND
Positive		red	3 V DC

Drawing



Safety Label



Valid Revision

| 23-JUL-2020