

## Line laser, red, 635 nm, 90°, 15 mW

LE635-15-5(14x55)90-F1000  
Order Number: 70126334

Main Parameters (*)	min	typ	max	Unit
Wavelength		635		nm
Optical Output Power		15		mW
Operating Voltage	4.5	5	5.5	V DC
Operating Current	100	170	200	mA
Operating Temperature	-20		50	°C
Storage Temperature	-40		80	°C

### Main Data

Warranty 1 years

### Technical Parameters

Lifetime > 5,000 h  
RoHS yes

### Optical Parameters

Beam Shape Line  
Laser Class 2  
Divergence E - 0.6 mrad  
Fan Angle 90°  
Line Thickness < 0.5 mm @ 1 m  
Operating Distance 1 m  
Optics glass lens AR coated  
Laser technology Single Mode Diode  
Focus fixed (1000 mm)

### Electrical Parameters

Potential of Housing isolated  
Power Supply Power Supply with stripped/tinned wires, Output: 5V DC, Input: 100-240V AC, 50-60Hz, Output Power: 3W max.  
Stripping of cable cover 50 mm

### Mechanical Parameters

Size Ø14x55 mm  
Material aluminium  
Cable length 500 mm  
Wire type 18AWG, black, 3,6mm  
Output Aperture 5.5 mm  
Housing Color black  
Weight 28 g  
Stripping of wire 5 mm

(\*) Over the complete operating temperature range

### Features



- Laser Class 2
- Low power consumption
- Uniform line thickness
- Image processing

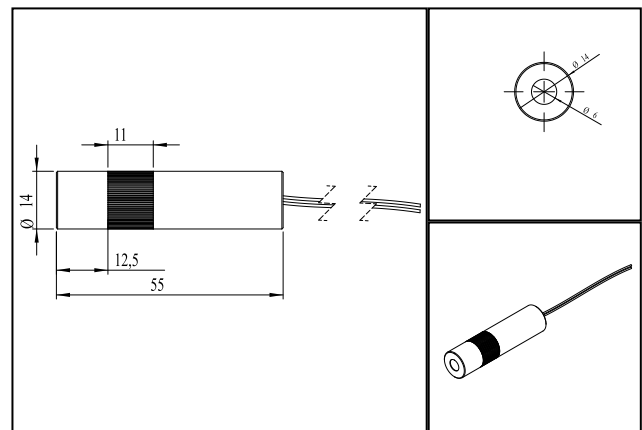
### Picture



### Cable color

Ground  black GND  
Positive  white 4.5 - 5.5, typ 5 V DC

### Drawing



### Safety Label



### Valid Revision

| 17-OCT-2016