

Line laser, green, 520 nm, 90°, 30 mW

LE520-30-24(40x210)
Order Number: 70120622

Main Parameters (*)	min	typ	max	Unit
Wavelength	510	520	530	nm
Optical Output Power		30		mW
Operating Voltage		24		V DC
Operating Current	50	100	150	mA
Operating Temperature	-10		60	°C
Storage Temperature	-40		80	°C

Main Data

Warranty	1 years
----------	---------

Technical Parameters

Lifetime	> 5,000 h
RoHS	yes

Optical Parameters

Beam Shape	Line
Laser Class	2M
Divergence	E - 0.6 mrad
Fan Angle	90°
Line Thickness	<3mm@7m
Operating Distance	25 m
Optics	glass lens AR coated
Beam Mode	TEM00
Laser technology	Single Mode Diode
Stability	+/- 5% @ -10-45°C
Focus	fixed (7.0m)

Electrical Parameters

Potential of Housing	isolated
----------------------	----------

Mechanical Parameters

Size	Ø40x210 mm
Material	aluminium
Cable length	1,750 mm
Wire type	18AWG, black, 3,6mm
Output Aperture	8 mm
Housing Color	silver
Weight	920 g

(*) Over the complete operating temperature range

Features



- Operating Voltage 24 V DC
- Glas lenses anti reflex coated
- Laser Class 2M
- High power
- Uniform line thickness

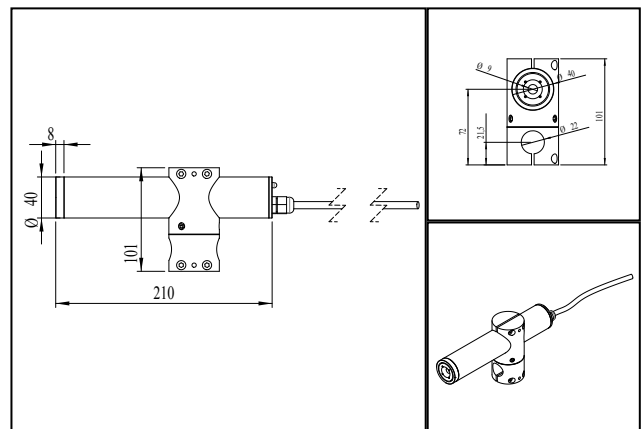
Picture



Cable color

Ground		black	GND
Positive		white	24 V DC

Drawing



Safety Label



Valid Revision

| 01-APR-2022