

## Line laser, red, 650 nm, 45°, 5 mW

LD650-5-5(12x32)45-F200  
Order Number: 70108644

Main Parameters (*)	min	typ	max	Unit
Wavelength		650		nm
Optical Output Power		5		mW
Operating Voltage		5		V DC
Operating Current	15	25	40	mA
Operating Temperature	-20		50	°C
Storage Temperature	-40		80	°C

### Main Data

Warranty 1 years

### Technical Parameters

Lifetime > 5,000 h  
RoHS yes

### Optical Parameters

Beam Shape Line  
Laser Class 1  
Divergence D - 0.5 mrad  
Fan Angle 45°  
Line Thickness <0.3mm@0.2m  
Operating Distance 0.2 m  
Optics glass lens AR coated  
Laser technology Single Mode Diode  
Focus fixed (200mm)

### Electrical Parameters

Potential of Housing isolated

### Mechanical Parameters

Size Ø12x32 mm  
Material aluminium  
Cable length 100 mm  
Wire type 26AWG, 0,14mm<sup>2</sup>  
Output Aperture 5.5 mm  
Housing Color black  
Weight 17 g  
Stripping of wire 5 mm

(\*) Over the complete operating temperature range

### Features





- Operating Voltage 5V DC
- Image processing
- Low power consumption
- Compact size
- Laser Class 1

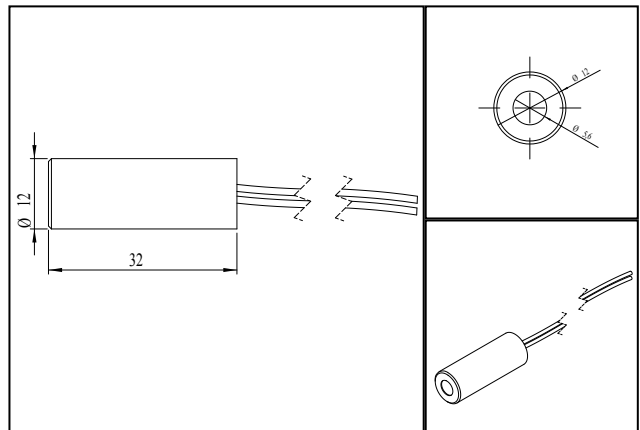
### Picture



### Cable color

Ground  black GND  
Positive  red 5 V DC

### Drawing



### Safety Label



### Valid Revision

2 | 26-APR-2023