

Line laser, red, 650 nm, 90°, 5 mW

LD650-5-5(12x32)-PL
Order Number: 70113600

Main Parameters (*)	min	typ	max	Unit
Wavelength		650		nm
Optical Output Power		5		mW
Operating Voltage	4.5	5	5.5	V DC
Operating Current	20	35	55	mA
Operating Temperature	-20		50	°C
Storage Temperature	-40		80	°C

Main Data

Warranty 1 years

Technical Parameters

Lifetime > 5,000 h
RoHS yes

Optical Parameters

Beam Shape Line
Laser Class 1
Divergence D - 0.5 mrad
Fan Angle 90°
Line Thickness < 0.7 mm @ 1 m
Operating Distance 1 m
Optics glass lens AR coated
Laser technology Single Mode Diode
Protection Lens yes
Focus fixed (1000 mm)

Electrical Parameters

Potential of Housing isolated
Power Supply Power Supply with stripped/tinned wires, Output: 5V DC, Input: 100-240V AC, 50-60Hz, Output Power: 3W max.

Mechanical Parameters

Size Ø12x32 mm
Material aluminium
Cable length 100 mm
Wire type 26AWG, 0,14mm²
Output Aperture 5.5 mm
Housing Color black
Weight 14 g
Stripping of wire 5 mm

(*) Over the complete operating temperature range

Features



- Operating Voltage 5V DC
- Image processing
- Low power consumption
- Compact size
- Laser Class 1

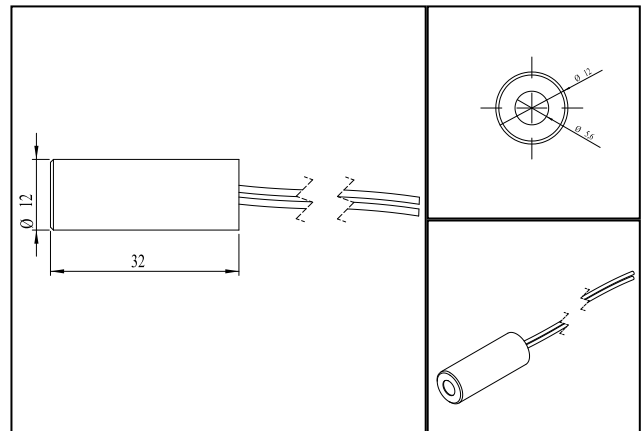
Picture



Cable color

Ground		black	GND
Positive		red	4.5 - 5.5, typ 5 V DC

Drawing



Safety Label



Valid Revision

1 | 26-APR-2023