

Line laser, red, 650 nm, 90°, 5 mW

LD650-5-3(16x90)-NT
Order Number: 70110869

Main Parameters (*)	min	typ	max	Unit
Wavelength		650		nm
Optical Output Power		5		mW
Operating Voltage	2.7	3	3.3	V DC
Operating Current	20	40	55	mA
Operating Temperature	-20		40	°C
Storage Temperature	-40		80	°C

Main Data

Warranty 1 years

Technical Parameters

Lifetime > 5,000 h
RoHS yes

Optical Parameters

Beam Shape Line
Laser Class 1
Divergence D - 0.5 mrad
Fan Angle 90°
Line Thickness <1.5mm@2m
Operating Distance 2 m
Optics glass lens AR coated
Laser technology diode
Protection Lens yes
Focus fixed (2000mm)

Electrical Parameters

Potential of Housing VDD(+)
Connector 2.5 mm DC plug (GND pole inner)

Power Supply Power Supply, Output: 3.3V DC, Input: 100-240V AC, 50-60Hz, Output Power: 3.3W max, Connector 2,5x5,5x9,5mm center negative

Mechanical Parameters

Size Ø16x90 mm
Material aluminium
Cable length 1,400 mm
Output Aperture 6 mm

Housing Color	black
Weight	45g

(*) Over the complete operating temperature range

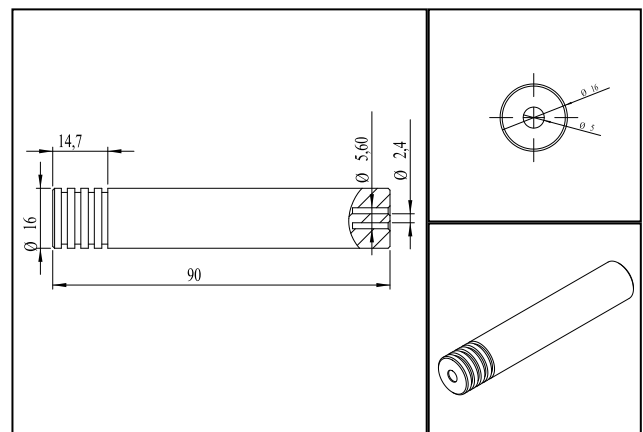
Features



Picture



Drawing



Safety Label



Valid Revision

15 | 10-MAR-2022