

## Line laser, red, 650 nm, 45°, 5 mW

LD650-5-3(12x32)45  
Order Number: 70104240

Main Parameters (*)	min	typ	max	Unit
Wavelength		650		nm
Optical Output Power		5		mW
Operating Voltage	2.7	3	3.3	V DC
Operating Current	15	34	45	mA
Operating Temperature	-20		50	°C
Storage Temperature	-40		80	°C

### Main Data

Warranty 1 years

### Technical Parameters

Lifetime >5,000 h  
RoHS yes

### Optical Parameters

Beam Shape Line  
Laser Class 1  
Divergence D - 0.5 mrad  
Fan Angle 45°  
Line Thickness <1.5mm@3m  
Operating Distance 5 m  
Optics glass lens AR coated  
Laser technology Single Mode Diode  
Focus fixed (3000mm)

### Electrical Parameters

Potential of Housing isolated  
Power Supply Power Supply with stripped/tinned wires, Output: 3.3V DC, Input: 100-240V AC, 50-60Hz, Output Power: 3.3W max.

### Mechanical Parameters

Size Ø12x32 mm  
Material aluminium  
Cable length 100 mm  
Wire type Belden, Typ 1007, 26AWG  
Output Aperture 5.5 mm  
Housing Color black  
Weight 17.6 g  
Stripping of wire 5 mm

(\*) Over the complete operating temperature range

## Features



- Fan angle 45°
- Laser Class 1
- Operating Voltage 3V DC
- Uniform illumination
- Glas lenses anti reflex coated

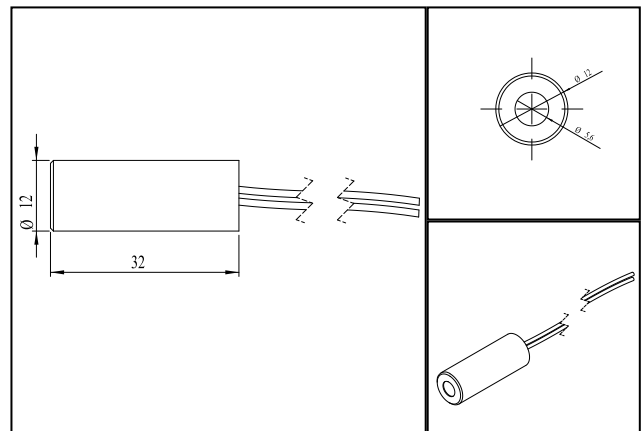
## Picture



## Cable color

Ground		black	GND
Positive		red	2.7 - 3.3, typ 3 V DC

## Drawing



## Safety Label



## Valid Revision

3 | 26-APR-2023