

Line laser, red, 635 nm, 90°, 25 mW

LD635-25-24(22x70)-C200-CON
Order Number: 70126204

Main Parameters (*)	min	typ	max	Unit
Wavelength		635		nm
Optical Output Power		25		mW
Operating Voltage	21.6	24	26.4	V DC
Operating Current	100	140	200	mA
Operating Temperature	-20		50	°C
Storage Temperature	-40		80	°C

Main Data

Warranty 1 years

Technical Parameters

Lifetime > 10,000 h
RoHS yes

Optical Parameters

Beam Shape Line
Laser Class 2M
Divergence D - 0.5 mrad
Fan Angle 90°
Line Thickness <2.5mm@5m
Operating Distance 7 m
Optics glass lens AR coated
Laser technology Single Mode Diode
Focus fixed (5.0m)

Electrical Parameters

Potential of Housing isolated
Connector CON-M12

Mechanical Parameters

Size Ø22x70 mm
Material aluminium
Cable length 200 mm
Wire type 18AWG, black, 3,6mm
Output Aperture 5.5 mm
Housing Color black
Weight 98 g

(*) Over the complete operating temperature range

Features

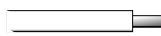



- Operating Voltage 24 V DC
- Laser Class 2M
- Uniform line thickness
- High Power
- Small laser head

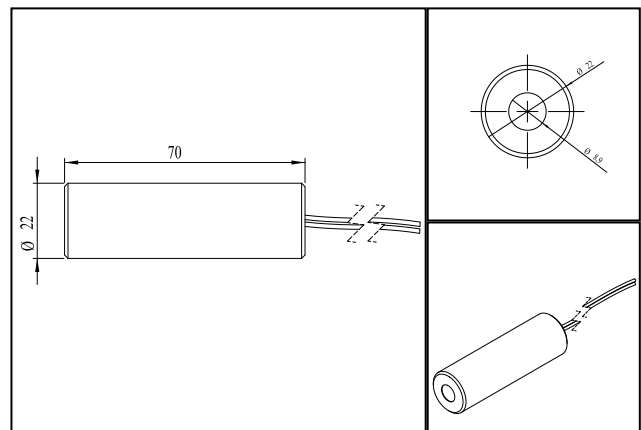
Picture



Cable color

Ground		white	GND
Positive		red	21.6 - 26.4, typ 24 V DC

Drawing



Safety Label



Valid Revision

| 09-NOV-2021