

Line laser, red, 635 nm, 90 °, 25 mW

LD635-25-24(20x135)-M12
Order Number: 70123661

Main Parameters (*)	min	typ	max	Unit
Wavelength	630	635	640	nm
Optical Output Power	23	25	27	mW
Operating Voltage	21.6	24	26.4	V DC
Operating Current	40	100	150	mA
Operating Temperature	-20		50	°C
Storage Temperature	-40		80	°C

Main Data

Warranty 1 Jahre

Technical Parameters

Lifetime > 10,000 h
RoHS yes

Optical Parameters

Beam Shape	Line
Laser Class	2M
Divergence	D - 0.5 mrad
Fan Angle	90 °
Line Thickness	adjustable
Operating Distance	15 m
Optics	glass lens AR coated
Laser technology	Single Mode Diode
Stability	+/- 3% @ -10-50°C
Protection Lens	yes
Focus	adjustable

Electrical Parameters

Potential of Housing	isolated
ESD Protection	IEC 61000-4-2
Connector	CON-M12

Mechanical Parameters

Size	Ø20x135 mm
Material	Stainless Steel
Output Aperture	16 mm
Housing Color	red
Weight	350 g
Protection Class	IP 64

(*) Over the complete operating temperature range

Features

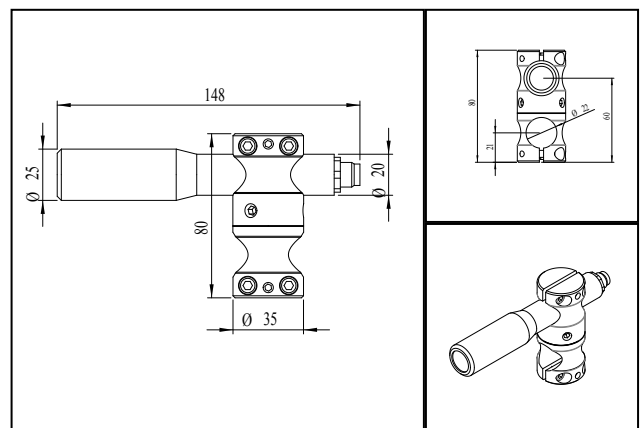


- Stainless steel body for industrial applications
- Protection Class (IP64)
- Adjustable line thickness
- M12 industrial connector
- Protection lens

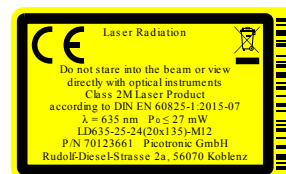
Picture



Drawing



Safety Label



Valid Revision

| 25-MAR-2021