

## Line laser, red, 635 nm, 90°, 15 mW

LD635-15-5(20x135)-M12  
Order Number: 70124316

Main Parameters (*)	min	typ	max	Unit
Wavelength	630	635	640	nm
Optical Output Power	13	15	20	mW
Operating Voltage	4.5	5	5.5	V DC
Operating Current	80	120	200	mA
Operating Temperature	-20		50	°C
Storage Temperature	-40		80	°C

### Main Data

Warranty 1 years

### Technical Parameters

Lifetime > 10,000 h  
RoHS yes

### Optical Parameters

Beam Shape Line  
Laser Class 2M  
Divergence D - 0.5 mrad  
Fan Angle 90°  
Line Thickness adjustable  
Operating Distance 10 m  
Optics glass lens AR coated  
Laser technology Single Mode Diode  
Stability +/- 3% @ -10-50°C  
Protection Lens yes  
Focus adjustable

### Electrical Parameters

Potential of Housing isolated  
ESD Protection IEC 61000-4-2  
Connector CON-M12

Power Supply Adapterkabel Sensorleitung mit M12-Stecker, 4 Pol, 2m, Stecker gerade, auf Rundstecker 2.1mm and 5v power supply for 230VAC

### Mechanical Parameters

Size Ø20x135 mm  
Material Stainless Steel  
Output Aperture 16 mm  
Housing Color red

Weight 350 g

Protection Class IP 64

(\*) Over the complete operating temperature range

### Features

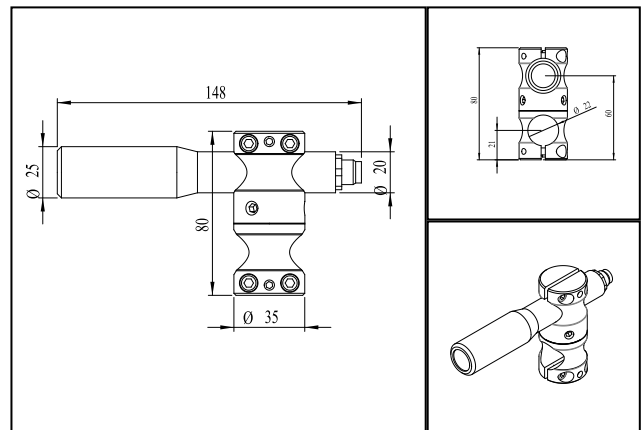


- Stainless steel for industrial applications
- Protection Class (IP64)
- Adjustable line thickness
- M12 industrial connector
- Protection lens

### Picture



### Drawing



### Safety Label



### Valid Revision

| 11-AUG-2023