

## Line laser, green, 532 nm, 45°, 5 mW

LD532-5-3(20x80)45-PL  
Order Number: 70104714

Main Parameters (*)	min	typ	max	Unit
Wavelength		532		nm
Optical Output Power		5		mW
Operating Voltage	2.7	3	3.3	V DC
Operating Current	100	190	350	mA
Operating Temperature		15	30	°C
Storage Temperature		-40	80	°C

### Main Data

Warranty 1 years

### Technical Parameters

Lifetime > 5,000 h

RoHS yes

### Optical Parameters

Beam Shape Line

Laser Class 1

Divergence D - 0.5 mrad

Fan Angle 45°

Line Thickness < 1.5 mm @ 3 m

Operating Distance 3 m

Optics glass lens AR coated

Beam Mode TEM00

Laser technology Solid State (YVO4+KTP)

Stability +/- 10% @ 15-30°C

Protection Lens yes

Focus fixed (3000 mm)

Warm up time < 15 min

### Electrical Parameters

Potential of Housing isolated

### Mechanical Parameters

Size Ø20x80 mm

Material aluminium

Cable length 100 mm

Wire type 26AWG, 0,14 mm<sup>2</sup>

Output Aperture 5 mm

Housing Color black

Weight 55 g

Stripping of wire 5 mm

(\*) Over the complete operating temperature range

### Features



- Operating Voltage 3 V DC
- Laser Class 1
- Fan angle 45°
- Uniform illumination
- Uniform line thickness

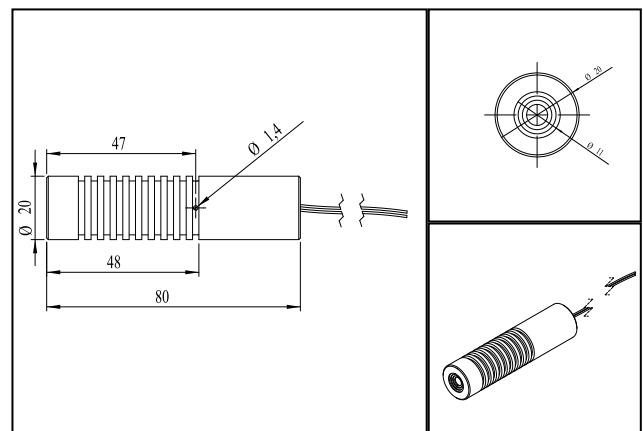
### Picture



### Cable color

Ground		black	GND
Positive		red	2.7 - 3.3, typ 3 V DC

### Drawing



### Safety Label



### Valid Revision

10 | 11-FEB-2021