

Line laser, green, 532 nm, 90 °, 5 mW

LD532-5-24(20x80)-F800
Order Number: 70115536

Main Parameters (*)	min	typ	max	Unit
Wavelength		532		nm
Optical Output Power		5		mW
Operating Voltage	20	24	26.4	V DC
Operating Current	50	55	150	mA
Operating Temperature	15		30	°C
Storage Temperature	-40		80	°C

Main Data

Warranty 1 years

Technical Parameters

Lifetime >10000 h
RoHS yes

Optical Parameters

Beam Shape	Line
Laser Class	1
Divergence	D - 0.5 mrad
Fan Angle	90 °
Line Thickness	<1mm@0.8m
Operating Distance	0.8 m
Optics	glass lens AR coated
Beam Mode	TEM00
Laser technology	YVO4+KTP
Stability	+/- 20% @ 15-30°C
Protection Lens	no
Focus	fixed (800mm)
Warm up time	<15 min

Electrical Parameters

Potential of Housing isolated

Mechanical Parameters

Size	Ø20x80 mm
Material	aluminium
Cable length	500 mm
Wire type	22AWG, black, 3,6mm
Output Aperture	5 mm
Weight	68 g

(*) Over the complete operating temperature range

Features



- Operating Voltage 24 V DC
- Isolated housing
- Laser Class 1
- Compact size
- Protection lens

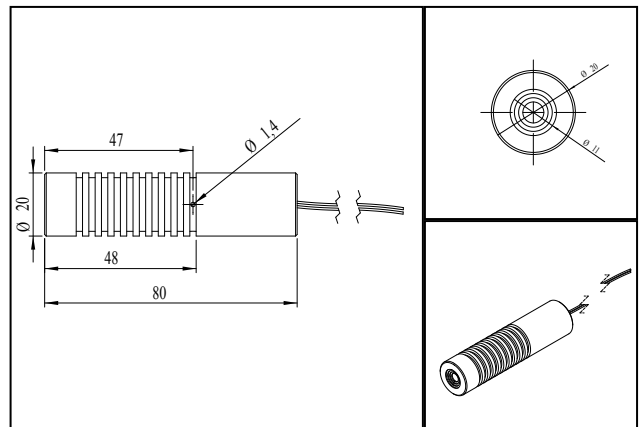
Picture



Cable color

Ground		black	GND
positive		white	20 - 26.4, typ 24 V DC

Drawing



Safety Label



Valid Revision

REV 1 | 30-JAN-2013