

## Line laser, green, 532 nm, 90 °, 30 mW

LD532-30-24(40x210)  
Order Number: 70115499

Main Parameters (*)	min	typ	max	Unit
Wavelength		532		nm
Optical Output Power		30		mW
Operating Voltage	21.6	24	26.4	V DC
Operating Current	50	100	150	mA
Operating Temperature	15		30	°C
Storage Temperature	-40		80	°C

### Main Data

Warranty 1 years

### Technical Parameters

Lifetime >10000 h  
RoHS yes

### Optical Parameters

Beam Shape	Line
Laser Class	2M
Divergence	D - 0.5 mrad
Fan Angle	90 °
Line Thickness	<3mm@7m
Operating Distance	25 m
Optics	glass lens AR coated
Beam Mode	TEM00
Laser technology	YVO4+KTP
Stability	+/- 20% @ 15-30°C
Focus	fixed (7.0m)
Warm up time	<15 min

### Electrical Parameters

Potential of Housing isolated

### Mechanical Parameters

Size	Ø40x210 mm
Material	aluminium
Cable length	3000 mm
Wire type	18AWG, black, 3,6mm
Output Aperture	8 mm
Weight	920 g

(\*) Over the complete operating temperature range

### Features

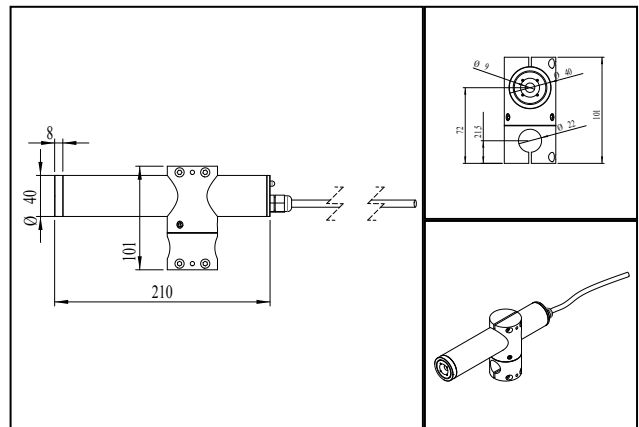


- Operating Voltage 24 V DC
- Glas lenses anti reflex coated
- Laser Class 2M
- High power
- Operating Voltage 24 V DC

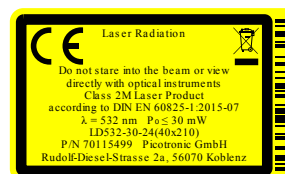
### Picture



### Drawing



### Safety Label



### Valid Revision

REV 1 | 11-FEB-2021