

## Line laser, green, 532 nm, 90°, 20 mW

LD532-20-3(20x80)-PL  
Order Number: 70105971

Main Parameters (*)	min	typ	max	Unit
Wavelength		532		nm
Optical Output Power		20		mW
Operating Voltage	2.7	3	3.3	V DC
Operating Current	170	350	450	mA
Operating Temperature	15		30	°C
Storage Temperature	-40		80	°C

### Main Data

Warranty 1 years

### Technical Parameters

Lifetime > 5,000 h

RoHS yes

### Optical Parameters

Beam Shape Line

Laser Class 2M

Divergence D - 0.5 mrad

Fan Angle 90°

Line Thickness <1.5mm@5m

Operating Distance 10 m

Optics glass lens AR coated

Beam Mode TEM00

Laser technology Solid State (YVO4+KTP)

Stability +/- 20% @ 15-30°C

Protection Lens yes

Focus fixed (5.0m)

Warm up time < 15 min

### Electrical Parameters

Potential of Housing isolated

Power Supply with stripped/tinned wires, Output: 3.3V DC, Input: 100-240V AC, 50-60Hz, Output Power: 3.3W max.

### Mechanical Parameters

Size Ø20x80 mm

Material aluminium

Cable length 100 mm

Wire type 26AWG, 0,14mm<sup>2</sup>

Output Aperture 5 mm

Housing Color black

Weight 55.3 g

Stripping of wire 5 mm

(\*) Over the complete operating temperature range

### Features



- Operating Voltage 3V DC
- Laser Class 2M
- Glas lenses anti reflex coated
- Fixed focus
- Fan angle 90°

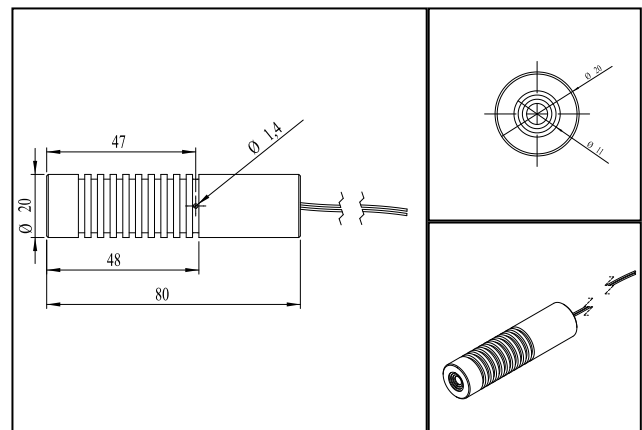
### Picture



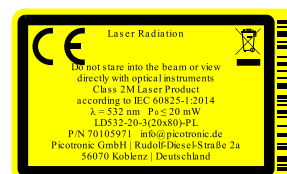
### Cable color

Ground		blue	GND
Positive		red	2.7 - 3.3, typ 3 V DC

### Drawing



### Safety Label



### Valid Revision

4 | 23-FEB-2021