

Line laser, green, 532 nm, 90°, 15 mW

LD532-15-5-F(22x80)
Order Number: 70105438

Main Parameters (*)	min	typ	max	Unit
Wavelength		532		nm
Optical Output Power		15		mW
Operating Voltage	4.5	5	5.5	V DC
Operating Current	120	180	400	mA
Operating Temperature		15	30	°C
Storage Temperature	-40		80	°C

Main Data

Warranty 1 years

Technical Parameters

Lifetime > 5,000 h
RoHS yes

Optical Parameters

Beam Shape	Line
Laser Class	2
Divergence	D - 0.5 mrad
Fan Angle	90°
Line Thickness	adjustable
Operating Distance	10 m
Optics	glass lens AR coated
Beam Mode	TEM00
Laser technology	Solid State (YVO4+KTP)
Stability	+/- 10% @ 15-30°C
Focus	adjustable
Warm up time	< 15 min

Electrical Parameters

Potential of Housing	isolated
Power Supply	Power Supply with stripped/tinned wires, Output: 5V DC, Input: 100-240V AC, 50-60Hz, Output Power: 3W max.

Mechanical Parameters

Size	Ø22x80 mm
Material	aluminium
Cable length	100 mm
Wire type	26AWG, 0,14mm ²
Output Aperture	5 mm
Weight	64 g
Stripping of wire	5 mm

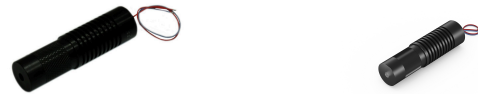
(*) Over the complete operating temperature range

Features



- Operating Voltage 5V DC
- Adjustable focus
- Uniform line thickness
- Laser Class 2
- High Power

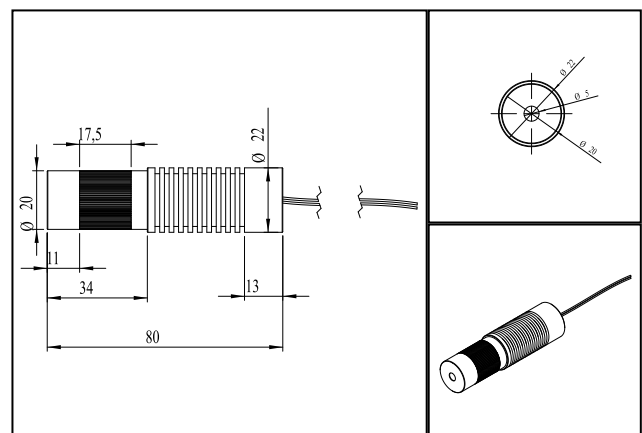
Picture



Cable color

Ground		blue	GND
Positive		red	4.5 - 5.5, typ 5 V DC

Drawing



Safety Label



Valid Revision

1 | 11-FEB-2021