

## Line laser, green, 532 nm, 45°, 15 mW

LD532-15-3(20x80)45-PL  
Order Number: 70105995

Main Parameters (*)	min	typ	max	Unit
Wavelength		532		nm
Optical Output Power		15		mW
Operating Voltage	2.7	3	3.3	V DC
Operating Current	150	300	450	mA
Operating Temperature	15		30	°C
Storage Temperature	-40		80	°C

### Main Data

Warranty 1 years

### Technical Parameters

Lifetime > 5,000 h  
RoHS yes

### Optical Parameters

Beam Shape	Line
Laser Class	2M
Divergence	D - 0.5 mrad
Fan Angle	45°
Line Thickness	<1.5mm@3m
Operating Distance	5 m
Optics	glass lens AR coated
Beam Mode	TEM00
Laser technology	YVO4+KTP
Stability	+/- 20% @ 15-30°C
Protection Lens	yes
Focus	fixed (3000mm)
Warm up time	< 15 min

### Electrical Parameters

Potential of Housing	isolated
Power Supply	Power Supply with stripped/tinned wires, Output: 3.3V DC, Input: 100-240V AC, 50-60Hz, Output Power: 3.3W max.

### Mechanical Parameters

Size	Ø20x80 mm
Material	aluminium
Cable length	100 mm
Output Aperture	5 mm
Weight	57 g

(\*) Over the complete operating temperature range

### Features



- Operating Voltage 3V DC
- Laser Class 2M
- Uniform line thickness
- Protection lens
- Image processing

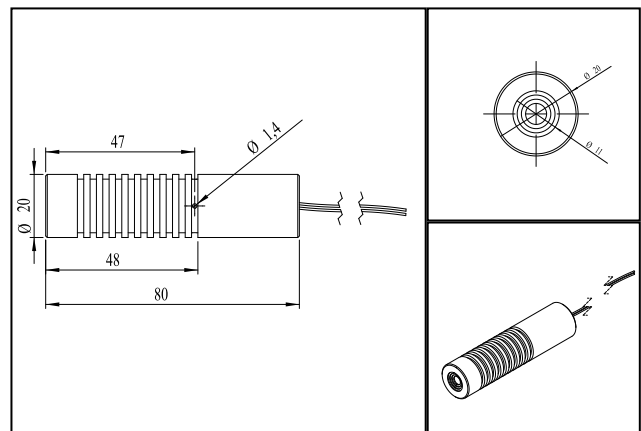
### Picture



### Cable color

Ground		blue	GND
Positive		red	2.7 - 3.3, typ 3 V DC

### Drawing



### Safety Label



### Valid Revision

11 | 11-FEB-2021