

Line laser, green, 532nm, 45°, 15mW

LD532-15-24(20x80)45-PL-C3000

Order Number: 70114836

Main Parameters (*)	min	typ	max	Unit
Wavelength		532		nm
Optical Output Power		15		mW
Operating Voltage	21.6	24	26.4	V DC
Operating Current	30	47	110	mA
Operating Temperature	15		30	°C
Storage Temperature	-40		80	°C

Technical Parameters

Lifetime	>5000h
RoHS	yes

Optical Parameters

Beam Shape	Line
Laser Class	2M
Divergence	D - 0.5mrad
Fan Angle	45°
Line Thickness	<1.5mm@3m
Operating Distance	5m
Optics	glass lens AR coated
Beam Mode	TEM00
Laser technology	Solid State (YVO4+KTP)
Stability	+/- 20% @ 15-30°C
Protection Lens	yes
Focus	fixed (3000mm)
Warm up time	<15min

Electrical Parameters

Potential of Housing	isolated
----------------------	----------

Mechanical Parameters

Size	Ø20x80mm
Material	aluminium
Cable length	3000mm
Wire type	22AWG / black,white
Output Aperture	5mm
Housing Color	black
Weight	115g
Stripping of wire	5mm
Stripping of cable cover	50mm

(*) Over the complete operating temperature range

Features





- Operating Voltage 24V DC
- Laser Class 2M
- Uniform line thickness
- Protection lens
- Image processing

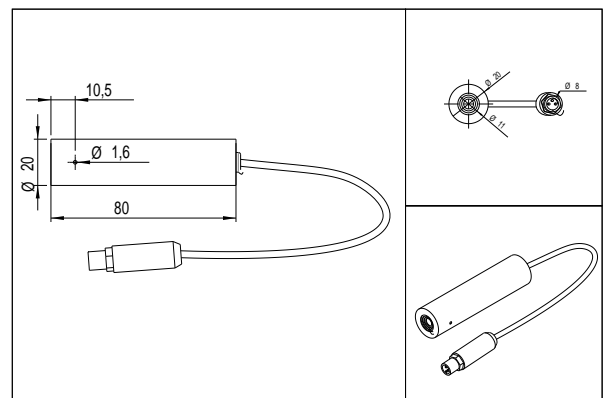
Picture



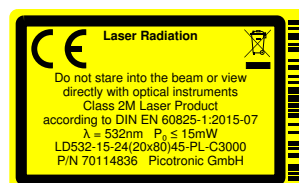
Cable Colors

Ground		black	GND
Positive		white	21.6 - 26.4, typ 24V DC

Drawing



Safety Label



Revision

REV 1 | 17-DEC-2018