

Line laser, green, 532 nm, 110°, 10 mW

LD532-10-5(20x80)110DEG-F500
Order Number: 70138719

Main Parameters (*)	min	typ	max	Unit
Wavelength		532		nm
Optical Output Power		10		mW
Operating Voltage	4.5	5	5.5	V DC
Operating Current	50	150	400	mA
Operating Temperature	15		30	°C
Storage Temperature	-40		80	°C

Main Data

Warranty 1 years

Technical Parameters

Lifetime > 5,000 h
RoHS yes

Optical Parameters

Beam Shape	Line
Laser Class	1M
Divergence	D - 0.5 mrad
Fan Angle	110°
Line Thickness	<0.7mm@0.5m
Operating Distance	0.5m
Optics	glass lens AR coated
Beam Mode	TEM00
Laser technology	Solid State (YVO4+KTP)
Stability	+/- 20% @ 15-30°C
Focus	fixed (500mm)
Warm up time	< 15 min

Electrical Parameters

Potential of Housing	isolated
Power Supply	Power Supply with stripped/tinned wires, Output: 5V DC, Input: 100-240V AC, 50-60Hz, Output Power: 3W max.
Stripping of cable cover	48 mm

Mechanical Parameters

Size	Ø20x80 mm
Material	aluminium
Cable length	100 mm
Wire type	26AWG, 0,14mm ²
Output Aperture	5 mm
Housing Color	black
Weight	57 g
Stripping of wire	3 mm

(*) Over the complete operating temperature range

Features



- Operating Voltage 5V DC
- Laser Class 1M
- Uniform line thickness
- Fixed focus
- Image processing

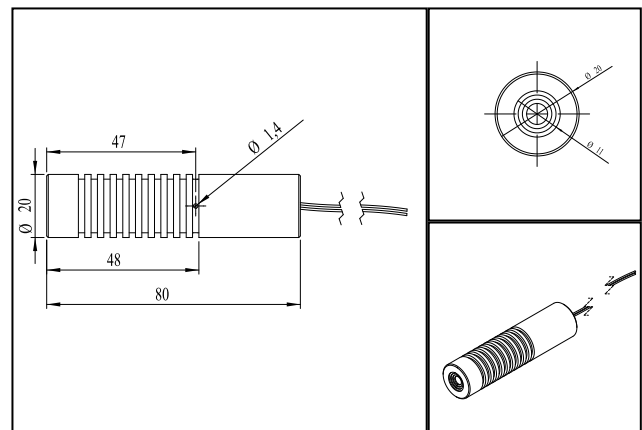
Picture



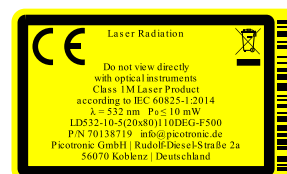
Cable color

Ground		black	GND
Positive		red	4.5 - 5.5, typ 5 V DC

Drawing



Safety Label



Valid Revision

| 23-JUL-2020