

## Line laser, green, 532 nm, 110°, 10 mW

LD532-10-5(20X80)110DEG-C5000  
Order Number: 70195866

Main Parameters (*)	min	typ	max	Unit
Wavelength		532		nm
Optical Output Power		10		mW
Operating Voltage	4.5	5	5.5	V DC
Operating Current	50	150	400	mA
Operating Temperature	15		30	°C
Storage Temperature	-40		80	°C

### Main Data

Warranty 1 years

### Technical Parameters

Lifetime > 5,000 h  
RoHS yes

### Optical Parameters

Beam Shape	Line
Laser Class	1M
Divergence	D - 0.5 mrad
Fan Angle	110°
Line Thickness	<1.5mm@3m
Operating Distance	3 m
Optics	glass lens AR coated
Beam Mode	TEM00
Laser technology	Solid State (YVO4+KTP)
Stability	+/- 20% @ 15-30°C
Focus	fixed (3000mm)
Warm up time	< 15 min

### Electrical Parameters

Potential of Housing	isolated
Power Supply	Power Supply with stripped/tinned wires, Output: 5V DC, Input: 100-240V AC, 50-60Hz, Output Power: 3W max.

### Mechanical Parameters

Size	Ø20x80 mm
Material	aluminium
Cable length	5,000 mm
Wire type	22AWG, black, 3,6mm
Output Aperture	5 mm
Housing Color	black
Weight	57 g
Stripping of wire	5 mm

(\*) Over the complete operating temperature range

### Features



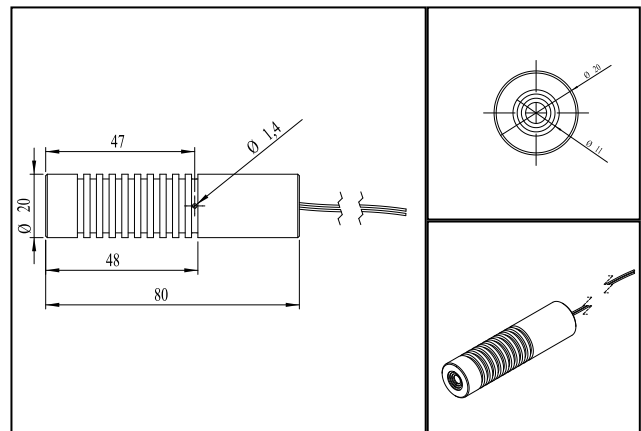
### Picture



### Cable color

Ground		black	GND
Positive		white	4.5 - 5.5, typ 5V DC

### Drawing



### Safety Label



### Valid Revision

| 22-JUN-2026