

Line laser, green, 532 nm, 45°, 10 mW

LD532-10-3(20x80)45-PL
Order Number: 70105841

Main Parameters (*)	min	typ	max	Unit
Wavelength		532		nm
Optical Output Power		10		mW
Operating Voltage	2.7	3	3.3	V DC
Operating Current	110	180	300	mA
Operating Temperature	15		30	°C
Storage Temperature	-40		80	°C

Main Data

Warranty 1 years

Technical Parameters

Lifetime > 5,000 h
RoHS yes

Optical Parameters

Beam Shape	Line
Laser Class	1M
Divergence	D - 0.5 mrad
Fan Angle	45°
Line Thickness	<1.5mm@5m
Operating Distance	10 m
Optics	glass lens AR coated
Beam Mode	TEM00
Laser technology	Solid State (YVO4+KTP)
Protection Lens	yes
Focus	fixed (5.0m)
Warm up time	< 15 min

Electrical Parameters

Potential of Housing	isolated
Power Supply	Power Supply with stripped/tinned wires, Output: 3.3V DC, Input: 100-240V AC, 50-60Hz, Output Power: 3.3W max.

Mechanical Parameters

Size	Ø20x80 mm
Material	aluminium
Cable length	100 mm
Wire type	26AWG, 0,14mm ²
Output Aperture	5 mm
Housing Color	black
Weight	60 g
Stripping of wire	5 mm

(*) Over the complete operating temperature range

Features



- Fan angle 45°
- Operating Voltage 3V DC
- Laser Class 1M
- Glas lenses anti reflex coated
- High power

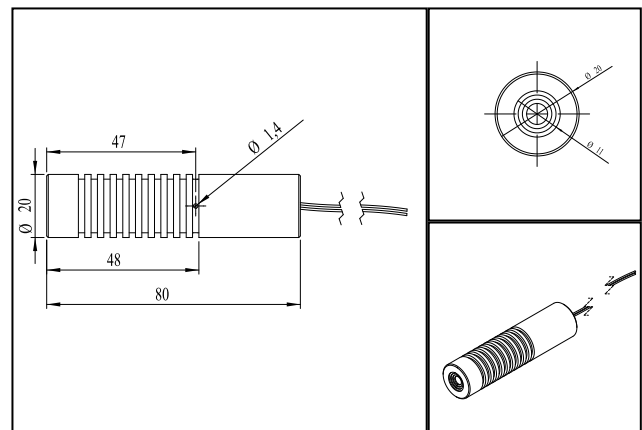
Picture



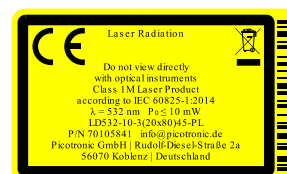
Cable color

Ground		blue	GND
Positive		red	2.7 - 3.3, typ 3 V DC

Drawing



Safety Label



Valid Revision

7 | 17-DEC-2018