

Line laser, green, 532nm, 90°, 10mW

LD532-10-24(20x80)-F800

Order Number: 70115529

Main Parameters (*)	min	typ	max	Unit
Wavelength		532		nm
Optical Output Power		10		mW
Operating Voltage	20	24	26.4	V DC
Operating Current	30	45	80	mA
Operating Temperature	15		30	°C
Storage Temperature	-40		80	°C

Technical Parameters

Lifetime	>10000h
RoHS	yes

Optical Parameters

Beam Shape	Line
Laser Class	1
Divergence	D - 0.5mrad
Fan Angle	90°
Line Thickness	<1mm@0.8m
Operating Distance	0.8m
Optics	glass lens AR coated
Beam Mode	TEM00
Laser technology	Solid State (YVO4+KTP)
Stability	+/- 20% @ 15-30°C
Protection Lens	no
Focus	fixed (800mm)
Warm up time	<15min

Electrical Parameters

Potential of Housing	isolated
----------------------	----------

Mechanical Parameters

Size	Ø20x80mm
Material	aluminium
Cable length	500mm
Wire type	22AWG, black, 3,6mm
Output Aperture	5mm
Housing Color	black
Weight	68g
Stripping of wire	5mm
Stripping of cable cover	50mm

(*) Over the complete operating temperature range

Features





- Operating Voltage 24V DC
- Isolated housing
- Laser Class 1
- Compact size
- Protection lens

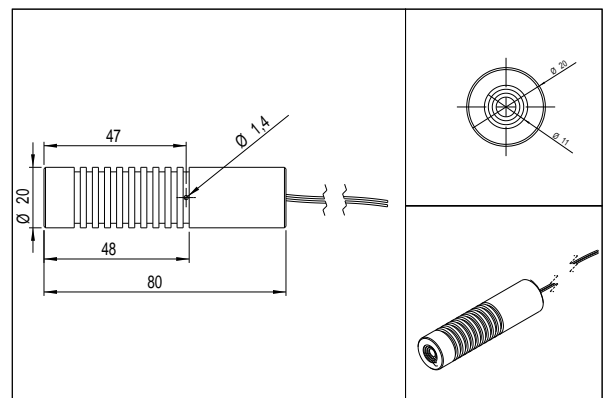
Picture



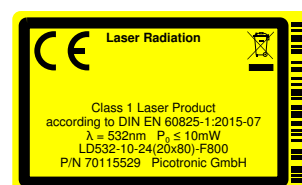
Cable Colors

Ground		black	GND
Positive		white	20 - 26.4, typ 24V DC

Drawing



Safety Label



Revision

REV 1 | 17-DEC-2018