

Line laser, green, 532 nm, 90°, 1 mW

LD532-1-3(15x70)
Order Number: 70103748

Main Parameters (*)	min	typ	max	Unit
Wavelength		532		nm
Optical Output Power		1		mW
Operating Voltage	2.7	3	3.3	V DC
Operating Current	75	150	225	mA
Operating Temperature		15	30	°C
Storage Temperature	-40		80	°C

Main Data

Warranty 1 years

Technical Parameters

Lifetime > 5,000 h
RoHS yes

Optical Parameters

Beam Shape	Line
Laser Class	1
Divergence	D - 0.5 mrad
Fan Angle	90°
Line Thickness	<1.5mm@3m
Operating Distance	3 m
Optics	glass lens AR coated
Beam Mode	TEM00
Laser technology	YVO4+KTP
Focus	fixed (3000mm)
Warm up time	< 15 min

Electrical Parameters

Potential of Housing	VDD(+)
Power Supply	Power Supply with stripped/tinned wires, Output: 3.3V DC, Input: 100-240V AC, 50-60Hz, Output Power: 3.3W max.

Mechanical Parameters

Size	Ø15x70 mm
Material	aluminium
Cable length	100 mm
Output Aperture	5 mm
Weight	38 g

(*) Over the complete operating temperature range

Features



- Operating Voltage 3V DC
- Laser Class 1
- Fan angle 90°
- For medical devices
- Fixed focus

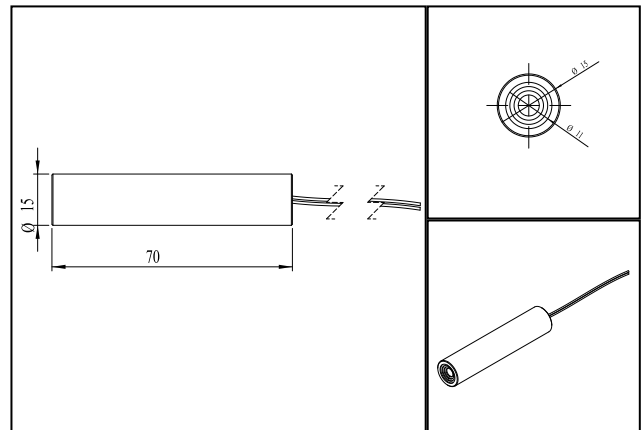
Picture



Cable color

Ground		black	GND
Positive		red	2.7 - 3.3, typ 3 V DC

Drawing



Safety Label



Valid Revision

5 | 22-JUL-2020