

Line laser, green, 520 nm, 90°, 5 mW

LD520-5-3(12x60)-QCW-F1300
Order Number: 70122497

Main Parameters (*)	min	typ	max	Unit
Wavelength	515	520	520	nm
Optical Output Power		5		mW
Operating Voltage	2.7	3	3.3	V DC
Operating Current	50	100	150	mA
Operating Temperature	-10		60	°C
Storage Temperature	-40		80	°C

Main Data

Warranty 1 years

Technical Parameters

Lifetime >6,000h
RoHS yes

Optical Parameters

Beam Shape	Line
Laser Class	1
Divergence	D - 0.5 mrad
Fan Angle	90°
Line Thickness	<1mm@1.3m
Operating Distance	1.3m
Optics	glass lens AR coated
Beam Mode	TEM00
Laser technology	Single Mode Diode
Stability	+/- 3% @ -10-50°C
Focus	fixed (1300mm)
internal modulation frequency	1 kHz

Electrical Parameters

Potential of Housing	isolated
Power Supply	Power Supply with stripped/tinned wires, Output: 3.3V DC, Input: 100-240V AC, 50-60Hz, Output Power: 3.3W max.

Mechanical Parameters

Size	Ø12x60 mm
Material	aluminium
Cable length	100 mm
Wire type	26AWG, 0,14mm ²
Output Aperture	3 mm
Housing Color	black
Weight	27 g
Stripping of wire	5 mm

(*) Over the complete operating temperature range

Features



- Operating Voltage 3V DC
- Laser Class 1
- Uniform illumination
- Fixed focus
- Fan angle 90°

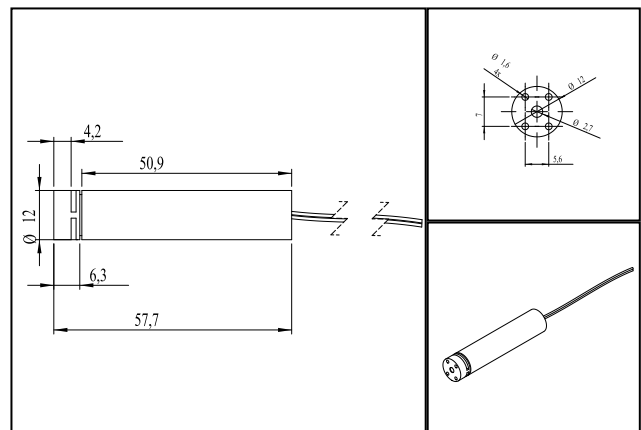
Picture



Cable color

Ground		blue	GND
Positive		red	2.7 - 3.3, typ 3 V DC

Drawing



Safety Label



Valid Revision

| 23-JUL-2020