

## Line laser, blue, 450 nm, 90°, 30 mW

LD450-30-24(20x135)-M12  
Order Number: 70121735

Main Parameters (*)	min	typ	max	Unit
Wavelength	445	450	455	nm
Optical Output Power	27	30	35	mW
Operating Voltage	21.6	24	26.4	V DC
Operating Current	40	100	150	mA
Operating Temperature	-10		60	°C
Storage Temperature	-40		80	°C

### Main Data

Warranty 1 years

### Technical Parameters

Lifetime > 10,000 h  
RoHS yes

### Optical Parameters

Beam Shape Line  
Laser Class 2M  
Divergence D - 0.5 mrad  
Fan Angle 90°  
Line Thickness adjustable  
Operating Distance 20 m  
Optics glass lens AR coated  
Laser technology Single Mode Diode  
Stability +/- 3% @ -10-50°C  
Protection Lens yes  
Focus adjustable

### Electrical Parameters

Potential of Housing isolated  
ESD Protection IEC 61000-4-2  
Connector CON-M12

Power Supply Power Supply, Output: 24V DC,  
Input: 100-240V AC, 50-60Hz,  
Output Power: 24W max.  
SYS 1308-2424-W2E | 2,1 x 5,5  
x 11 center positive

### Mechanical Parameters

Size Ø20x135 mm  
Material Stainless Steel  
Output Aperture 16 mm  
Housing Color blue

Weight 350 g

Protection Class IP 64

(\*) Over the complete operating temperature range

### Features

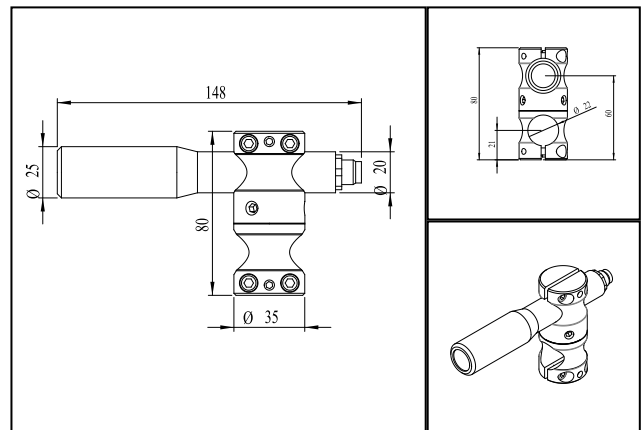


- Stainless steel for industrial applications
- Protection Class (IP64)
- Adjustable line thickness
- M12 industrial connector
- Protection lens

### Picture



### Drawing



### Safety Label



### Valid Revision

| 08-AUG-2023