

Line laser, red, 635 nm, 60°, 5 mW

LC635-5-3-F(16x65)60DEG
Order Number: 70109290

Main Parameters (*)	min	typ	max	Unit
Wavelength		635		nm
Optical Output Power		5		mW
Operating Voltage	2.7	3	3.3	V DC
Operating Current	30	50	70	mA
Operating Temperature	-20		50	°C
Storage Temperature	-40		80	°C

Main Data

Warranty 1 years

Technical Parameters

Lifetime > 5,000 h
RoHS yes

Optical Parameters

Beam Shape Line
Laser Class 1
Divergence C - 0.4 mrad
Fan Angle 60°
Line Thickness adjustable
Operating Distance 5 m
Optics glass lens AR coated
Laser technology Single Mode Diode
Focus adjustable

Electrical Parameters

Potential of Housing isolated
Power Supply Power Supply with stripped/tinned wires, Output: 3.3V DC, Input: 100-240V AC, 50-60Hz, Output Power: 3.3W max.

Mechanical Parameters

Size Ø16x65 mm
Material aluminium
Cable length 100 mm
Wire type 26AWG, 0,14mm²
Output Aperture 6 mm
Housing Color black
Weight 26 g
Stripping of wire 5 mm

(*) Over the complete operating temperature range

Features



- Adjustable focus
- Low power consumption
- Uniform illumination
- Laser Class 1
- Operating Voltage 3V DC

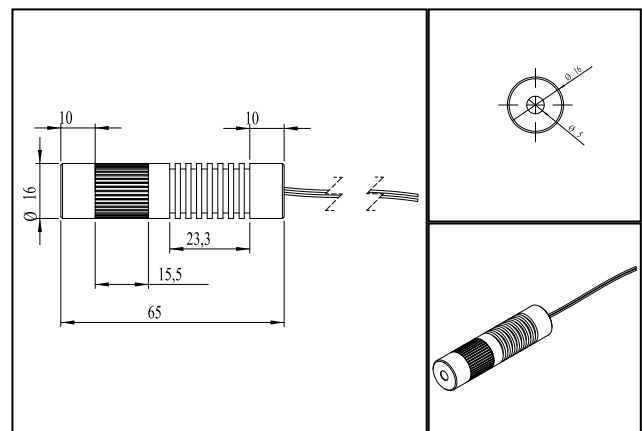
Picture



Cable color

Ground		black	GND
Positive		red	2.7 - 3.3, typ 3 V DC

Drawing



Safety Label



Valid Revision

7 | 26-APR-2023