

## Line laser, red, 635nm, 60°, 5mW

LC635-5-3-F(16x65)60DEG-C1500

Order Number: 70121971

Main Parameters (*)	min	typ	max	Unit
Wavelength		635		nm
Optical Output Power		5		mW
Operating Voltage	2.7	3	3.3	V DC
Operating Current	30	50	85	mA
Operating Temperature	-20		50	°C
Storage Temperature	-40		80	°C

### Technical Parameters

Lifetime	>5000h
RoHS	yes

### Optical Parameters

Beam Shape	Line
Laser Class	1
Divergence	C - 0.4mrad
Fan Angle	60°
Line Thickness	adjustable
Operating Distance	5m
Optics	glass lens AR coated
Laser technology	Single Mode Diode
Focus	adjustable

### Electrical Parameters

Potential of Housing	isolated
Power Supply	LFNT-3

### Mechanical Parameters

Size	Ø16x65mm
Material	aluminium
Cable length	1500mm
Wire type	18AWG, black, 3,6mm
Output Aperture	6mm
Housing Color	black
Weight	50g
Protection Class	IP54
Stripping of wire	5mm
Stripping of cable cover	50mm

(\*) Over the complete operating temperature range

### Features





- Adjustable focus
- Low power consumption
- Uniform illumination
- Laser Class 1
- Operating Voltage 3V DC

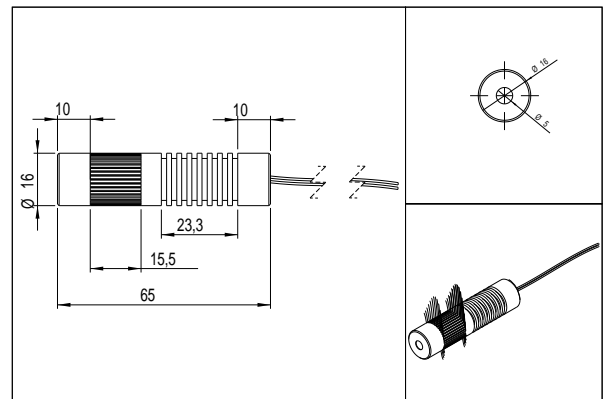
### Picture



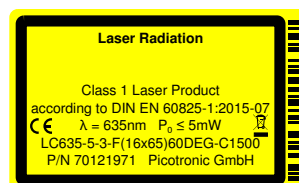
### Cable Colors

Ground		black	GND
Positive		white	2.7 - 3.3, typ 3V DC

### Drawing



### Safety Label



### Revision

| 08-JUN-2016