

Line laser, red, 635 nm, 60°, 5 mW

LC635-5-3-F(16x65)60DEG-C1500
Order Number: 70121971

Main Parameters (*)	min	typ	max	Unit
Wavelength		635		nm
Optical Output Power		5		mW
Operating Voltage	2.7	3	3.3	V DC
Operating Current	30	50	85	mA
Operating Temperature	-20		50	°C
Storage Temperature	-40		80	°C

Main Data

Warranty 1 years

Technical Parameters

Lifetime > 5,000 h
RoHS yes

Optical Parameters

Beam Shape Line
Laser Class 1
Divergence C - 0.4 mrad
Fan Angle 60°
Line Thickness adjustable
Operating Distance 5 m
Optics glass lens AR coated
Laser technology Single Mode Diode
Focus adjustable

Electrical Parameters

Potential of Housing isolated
Power Supply Power Supply with stripped/tinned wires, Output: 3.3V DC, Input: 100-240V AC, 50-60Hz, Output Power: 3.3W max.
Stripping of cable cover 50 mm

Mechanical Parameters

Size Ø16x65 mm
Material aluminium
Cable length 1,500 mm
Wire type 18AWG, black, 3,6mm
Output Aperture 6 mm
Housing Color black
Weight 50 g
Protection Class IP 54
Stripping of wire 5 mm

(*) Over the complete operating temperature range

Features



- Adjustable focus
- Low power consumption
- Uniform illumination
- Laser Class 1
- Operating Voltage 3 V DC

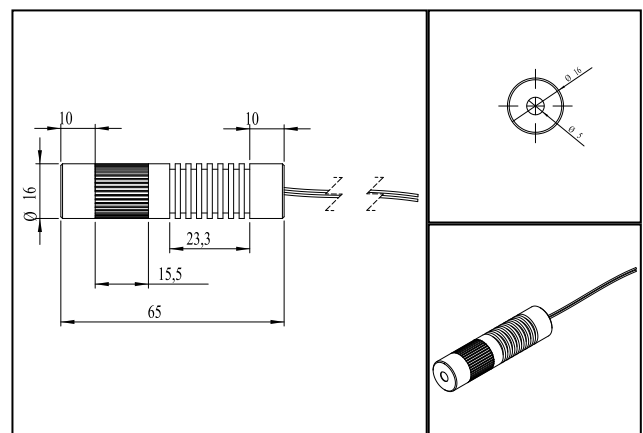
Picture



Cable color

Ground		black	GND
Positive		white	2.7 - 3.3, typ 3 V DC

Drawing



Safety Label



Valid Revision

| 30-MAR-2022