

## Line laser, green, 532 nm, 90°, 5 mW

LC532-5-5-F(16x65)  
Order Number: 70134223

Main Parameters (*)	min	typ	max	Unit
Wavelength		532		nm
Optical Output Power		5		mW
Operating Voltage	4.5	5	5.5	V DC
Operating Current	100	200	290	mA
Operating Temperature	15		30	°C
Storage Temperature	-40		80	°C

### Main Data

Warranty 1 years

### Technical Parameters

Lifetime > 5,000 h  
RoHS yes

### Optical Parameters

Beam Shape Line  
Laser Class 1  
Divergence C - 0.4 mrad  
Fan Angle 90°  
Line Thickness adjustable  
Operating Distance 3 m  
Optics glass lens AR coated  
Beam Mode TEM00  
Laser technology YVO4+KTP  
Stability +/- 10% @ 15-30°C  
Focus adjustable  
Warm up time < 15 min

### Electrical Parameters

Potential of Housing isolated

### Mechanical Parameters

Size Ø16x65 mm  
Material aluminium  
Cable length 100 mm  
Wire type Belden, Typ 1007, 26AWG  
Output Aperture 5 mm  
Housing Color black  
Weight 33 g  
Stripping of wire 5 mm

(\*) Over the complete operating temperature range

## Features



- Image processing
- Uniform line thickness
- Laser Class 1
- Operating Voltage 5 V DC
- Adjustable focus

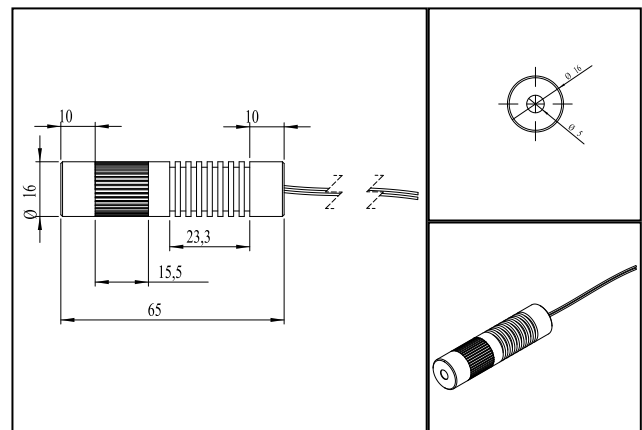
## Picture



## Cable color

Ground  blue GND  
Positive  red 4.5 - 5.5, typ 5 V DC

## Drawing



## Safety Label



## Valid Revision

| 15-JAN-2020