

Line laser, green, 532 nm, 60°, 5 mW

LC532-5-3-F(16x65)60DEG
Order Number: 70109283

Main Parameters (*)	min	typ	max	Unit
Wavelength		532		nm
Optical Output Power		5		mW
Operating Voltage	2.4	3	3	V DC
Operating Current	50	150	250	mA
Operating Temperature	15		30	°C
Storage Temperature	-40		80	°C

Main Data

Warranty 1 years

Technical Parameters

Lifetime > 5,000 h
RoHS yes

Optical Parameters

Beam Shape	Line
Laser Class	1
Divergence	C - 0.4 mrad
Fan Angle	60°
Line Thickness	adjustable
Operating Distance	3 m
Optics	glass lens AR coated
Beam Mode	TEM00
Laser technology	Solid State (YVO4+KTP)
Stability	+/- 10% @ 15-30°C
Focus	adjustable
Warm up time	< 15 min

Electrical Parameters

Potential of Housing isolated

Mechanical Parameters

Size	Ø16x65 mm
Material	aluminium
Cable length	120 mm
Wire type	Belden, Typ 1007, 26AWG
Output Aperture	5 mm
Housing Color	black
Weight	33 g
Stripping of wire	5 mm

(*) Over the complete operating temperature range

Features





- Image processing
- Uniform line thickness
- Laser Class 1
- Operating Voltage 3V DC
- Adjustable focus

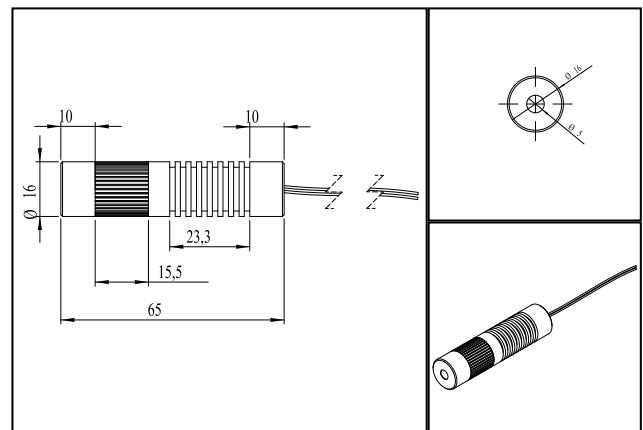
Picture



Cable color

Ground		blue	GND
Positive		red	2.4 - 3, typ 3 V DC

Drawing



Safety Label



Valid Revision

3 | 22-APR-2021