

Line laser, green, 532 nm, 90°, 5 mW

LC532-5-3-F(16x65)
Order Number: 70104387

Main Parameters (*)	min	typ	max	Unit
Wavelength		532		nm
Optical Output Power		5		mW
Operating Voltage	2.7	3	3.3	V DC
Operating Current	125	250	375	mA
Operating Temperature	15		30	°C
Storage Temperature	-40		80	°C

Main Data

Warranty 1 years

Technical Parameters

Lifetime > 5,000 h
RoHS yes

Optical Parameters

Beam Shape Line
Laser Class 1
Divergence C - 0.4 mrad
Fan Angle 90°
Line Thickness adjustable
Operating Distance 3 m
Optics glass lens AR coated
Beam Mode TEM00
Laser technology YVO4+KTP
Stability +/- 10% @ 15-30°C
Focus adjustable
Warm up time < 15 min

Electrical Parameters

Potential of Housing isolated

Mechanical Parameters

Size Ø16x65 mm
Material aluminium
Cable length 100 mm
Wire type Belden, Typ 1007, 26AWG
Output Aperture 5 mm
Housing Color black
Weight 33 g
Stripping of wire 5 mm

(*) Over the complete operating temperature range

Features



- Image processing
- Uniform line thickness
- Laser Class 1
- Operating Voltage 3V DC
- Adjustable focus

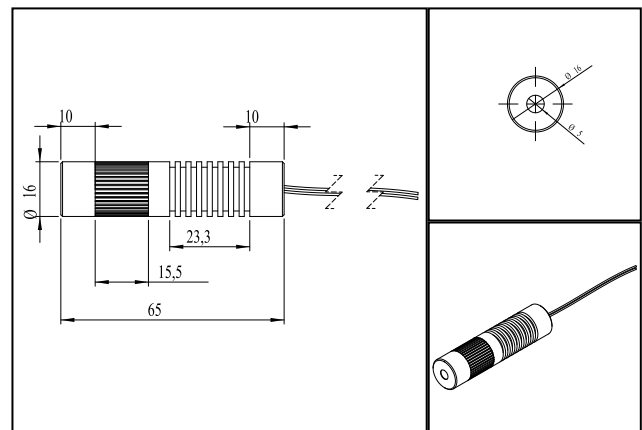
Picture



Cable color

Ground  blue GND
Positive  red 2.7 - 3.3, typ 3 V DC

Drawing



Safety Label



Valid Revision

18 | 17-DEC-2018