

Line laser, green, 520nm, 90°, 5mW

LC520-5-5-F(16x65)-QCW
Order Number: 70118476

Main Parameters (*)	min	typ	max	Unit
Wavelength		520		nm
Optical Output Power		5		mW
Operating Voltage	4.7	5	5.3	V DC
Operating Current	40	58	85	mA
Operating Temperature	-10		60	°C
Storage Temperature	-40		80	°C

Technical Parameters

Lifetime	>6000h
RoHS	yes

Optical Parameters

Beam Shape	Line
Laser Class	1
Divergence	C - 0.4mrad
Fan Angle	90°
Line Thickness	adjustable
Operating Distance	5m
Optics	glass lens AR coated
Laser technology	Single Mode Diode
Stability	+/- 3% @ -10-50°C
Focus	adjustable
internal modulation frequency	1Kilohertz

Electrical Parameters

Potential of Housing	isolated
Power Supply	LFNT-5

Mechanical Parameters

Size	Ø16x65mm
Material	aluminium
Cable length	100mm
Wire type	Belden, Typ 1007, 26AWG
Output Aperture	5mm
Housing Color	black
Weight	16g
PCB	no
Stripping of wire	5mm

(*) Over the complete operating temperature range

Features




- Operating Voltage 5V DC
- Compact size
- Laser Class 1
- High Power
- Fixed focus

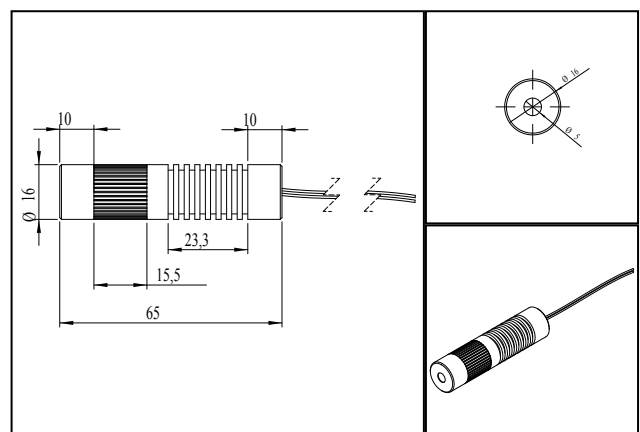
Picture



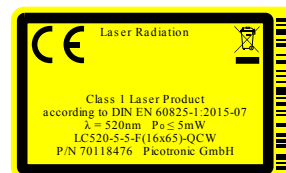
Cable Colors

Ground		black	GND
Positive		red	4.7 - 5.3, typ 5V DC

Drawing



Safety Label



Revision

REV 22 | 17-DEC-2018