

Line laser, green, 520 nm, 90°, 5 mW

LC520-5-5-F(16x65)-QCW-C2000
Order Number: 70132496

| Main Parameters (*) | min | typ | max | Unit |
|-----------------------|-----|-----|-----|------|
| Wavelength | | 520 | | nm |
| Optical Output Power | | 5 | | mW |
| Operating Voltage | 4.7 | 5 | 5.3 | V DC |
| Operating Current | 40 | 58 | 85 | mA |
| Operating Temperature | -10 | | 60 | °C |
| Storage Temperature | -40 | | 80 | °C |

Main Data

Warranty 1 years

Technical Parameters

Lifetime >6,000 h
RoHS yes

Optical Parameters

| | |
|-------------------------------|----------------------|
| Beam Shape | Line |
| Laser Class | 1 |
| Divergence | C - 0.4 mrad |
| Fan Angle | 90° |
| Line Thickness | adjustable |
| Operating Distance | 5 m |
| Optics | glass lens AR coated |
| Laser technology | Single Mode Diode |
| Stability | +/- 3% @ -10-50°C |
| Focus | adjustable |
| internal modulation frequency | 1 kHz |

Electrical Parameters

| | |
|--------------------------|--|
| Potential of Housing | isolated |
| Power Supply | Power Supply with stripped/tinned wires, Output: 5V DC, Input: 100-240V AC, 50-60Hz, Output Power: 3W max. |
| Stripping of cable cover | 50 mm |

Mechanical Parameters

| | |
|-------------------|---------------------|
| Size | Ø16x65 mm |
| Material | aluminium |
| Cable length | 2,000 mm |
| Wire type | 18AWG, black, 3,6mm |
| Output Aperture | 5 mm |
| Housing Color | black |
| Weight | 16 g |
| PCB | no |
| Stripping of wire | 5 mm |

(*) Over the complete operating temperature range

Features



- Operating Voltage 5V DC
- Compact size
- Laser Class 1
- High Power
- Fixed focus

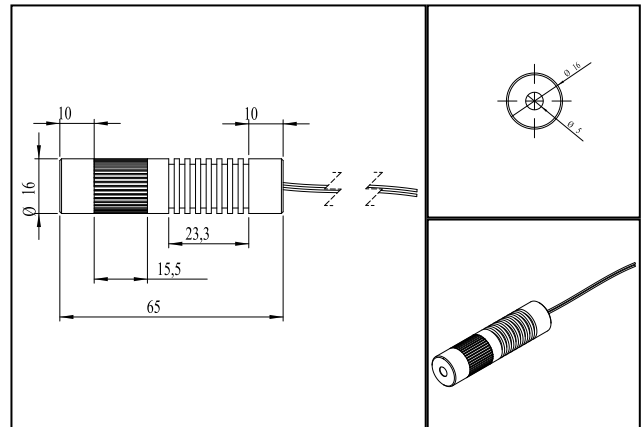
Picture



Cable color

| | | | |
|----------|---|-------|-----------------------|
| Ground |  | black | GND |
| Positive |  | white | 4.7 - 5.3, typ 5 V DC |

Drawing



Safety Label



Valid Revision

| 22-JUL-2020